

Project: **MLS2 FLEX SYSTEM**
WITH INTEGRATED LOW VOLTAGE TRACK

Distributor:		Type:	
By: DJL	Date: 8/19/19	Scale: NONE	
Dwg. no.:	Rev.	Size: B	

CATALOG NO:

MLS2-FLEX

SPECIFICATIONS

LIGHTING -

DIRECT LOW VOLTAGE TRACK WITH OPTIONAL UPLIGHT COMPONENT

MOUNTING -

SURFACE CEILING MOUNT, CABLE SUSPENDED OR RECESSED IN SHEETROCK OR GRID TYPE CEILING OPTIONS AVAILABLE

SIZE -

NOMINAL 1-7/8" W, HEIGHT AND LENGTHS VARY BASED UPON HOUSING TYPE AND APPLICATION.

TRACK -

HEAVY GAUGE EXTRUDED ALUMINUM SINGLE CIRCUIT TRACK SECURED INTERNALLY TO EXTRUDED ADAPTER TO INSURE TRACK IS FLUSH TO BOTTOM OF MLS2 HOUSING, BLACK OR WHITE FINISH AVAILABLE.

DRIVER-

MEANWELL 42 VOLT 1-10V DIMMABLE POWER SUPPLY PROVIDED IN REMOTE ENCLOSURE. SIZE OF POWER SUPPLY TO BE GOVERNED BY JOB REQUIREMENTS, 100 WATT MAXIMUM CLASS 2.

TRACK HEADS -

VARIOUS STYLES AVAILABLE WITH VARYING LIGHT OUTPUTS, SEE SEPARATE SHEETS FOR EACH STYLE

MATERIAL-

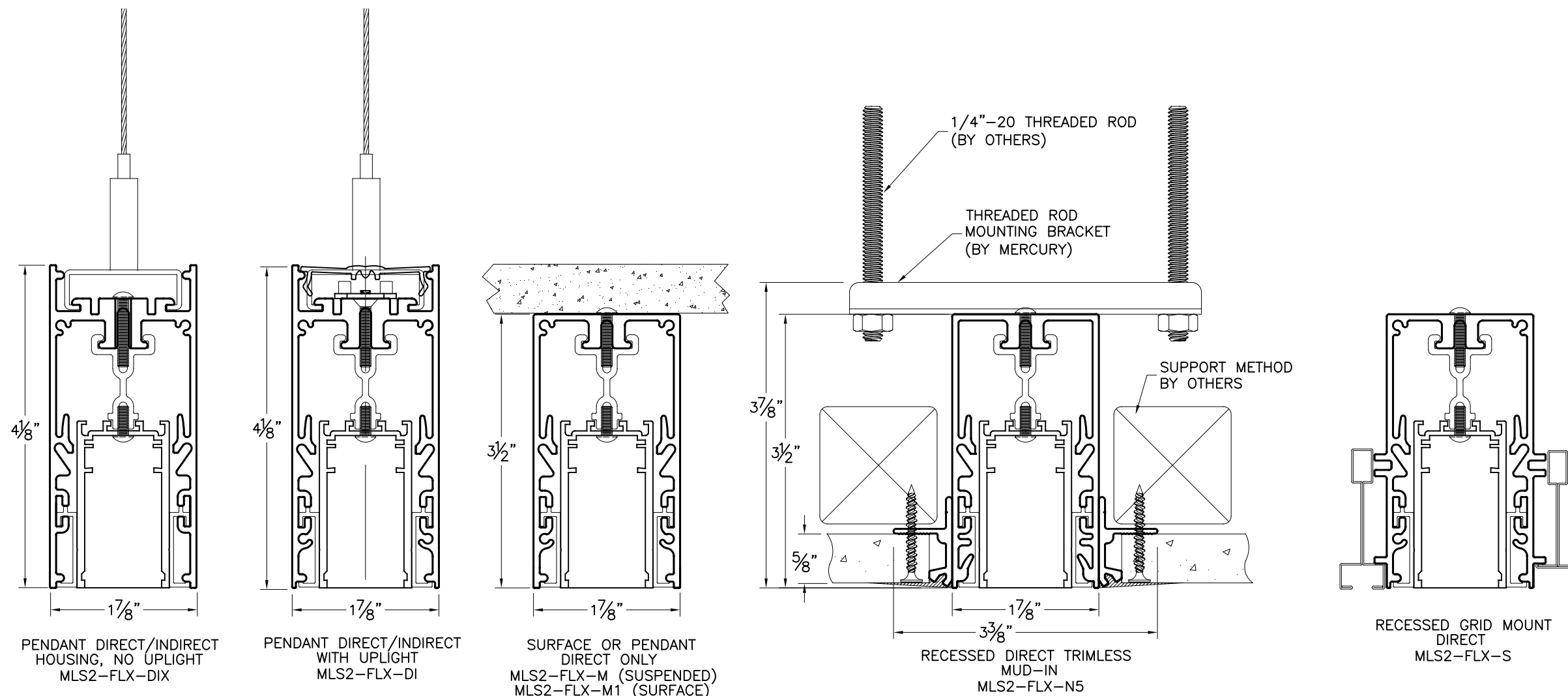
HOUSING -EXTRUDED ALUMINUM, .080" WALL, AVAILABLE IN MULTIPLE STYLES FOR DIFFERENT MOUNTING CONDITIONS AS SHOWN ABOVE.

FINISH-

POWDER COATED BAKED MATTE WHITE ENAMEL

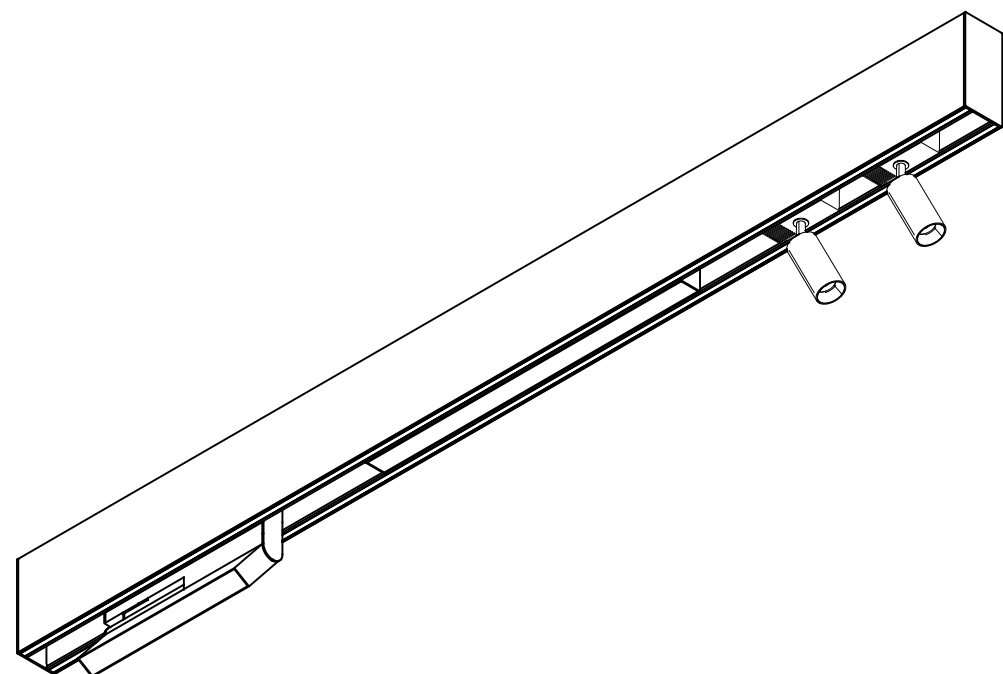
CERTIFICATION-

UL LISTED AND UNION MADE IN THE U.S.A.



MOUNTING OPTIONS

OTHER MOUNTING OPTINS AVAILABLE, CONSULT FACTORY



NOTES:

1. TRACK SECTIONS MAY BE COMBINED WITH STANDARD LINEAR LED SECTIONS OF MLS2 SERIES PRODUCT.
2. POWER SUPPLIES FOR TRACK ARE ONLY AVAILABLE REMOTE MOUNTED. LINEAR LED DRIVERS ARE INTEGRAL TO FIXTURE.
3. THE TYPE AND QUANTITIES OF TRACK HEADS USED IN EACH TRACK SECTION IS LIMITED BY THE CAPACITY OF THE POWER SUPPLY FOR THAT TRACK SECTION. EACH SECTION IS LABELED WITH THE MAX. WATTAGE FOR THAT SECTION, AND EACH TRACK HEAD IS MARKED WITH IT'S SPECIFIC WATTAGE.

This document contains confidential and proprietary information and cannot not be reproduced or divulged, in whole or part, without authorization in writing by Mercury Architechural Lighting.

Rev.	Description	Date	By

Project: **MLS2-FLEX SYSTEM**
WITH INTEGRATED LOW VOLTAGE TRACK

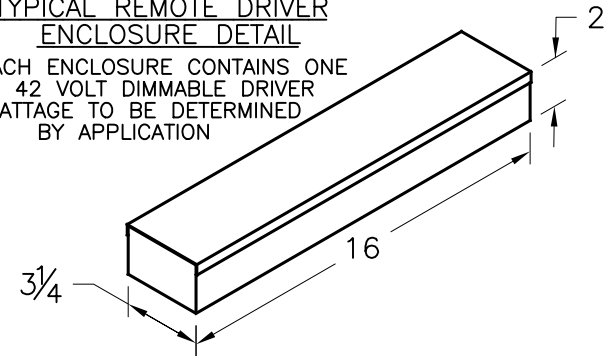


20 Audrey Place Fairfield, NJ 07004 U.S.A.

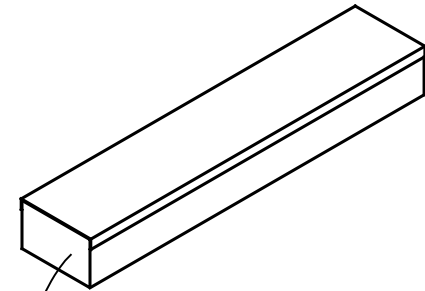
Distributor:		Type:	
By: DJL	Date: 8/19/19	Scale: NONE	
Dwg. no.:		Rev.:	Size: B

CATALOG NO:
MLS2-FLEX

TYPICAL REMOTE DRIVER ENCLOSURE DETAIL
EACH ENCLOSURE CONTAINS ONE 42 VOLT DIMMABLE DRIVER
WATTAGE TO BE DETERMINED BY APPLICATION



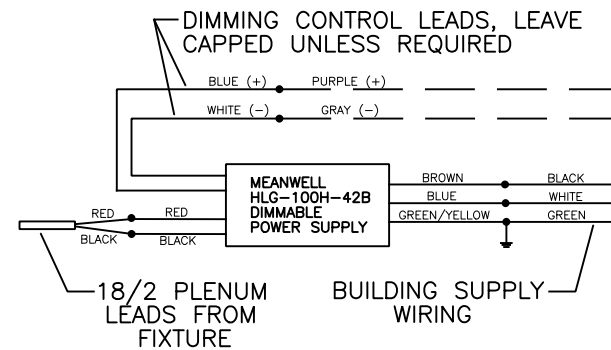
REMOTE BOXES TO BE LOCATED IN AN ACCESSIBLE LOCATION AS DIRECTED BY ARCHITECT



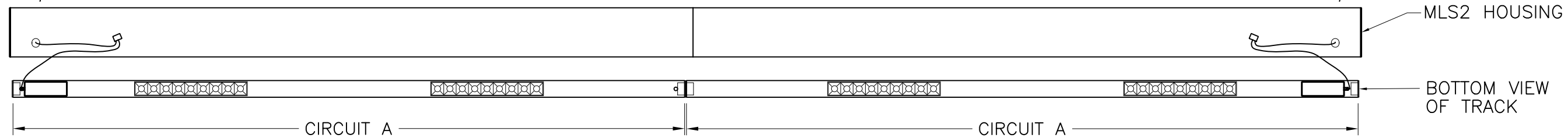
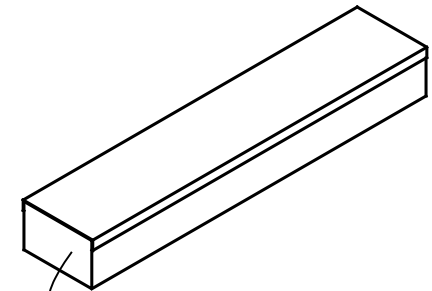
11FT OF 18/2 PLENUM RATED CORD PROVIDED BETWEEN FIXTURE AND REMOTE POWER SUPPLY

NOTE: ALL INTERNAL FIXTURE WIRING AND CONNECTIONS TO CORDS TO REMOTE DRIVER BOXES TO BE DONE AT FACTORY. CONNECTIONS TO POWER SUPPLIES WITHIN REMOTE ENCLOSURES TO BE BY CONTRACTOR.

POWER SUPPLY WIRING DIAGRAM

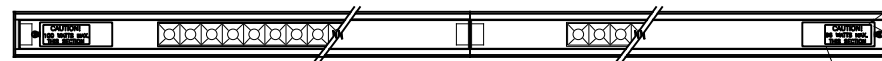
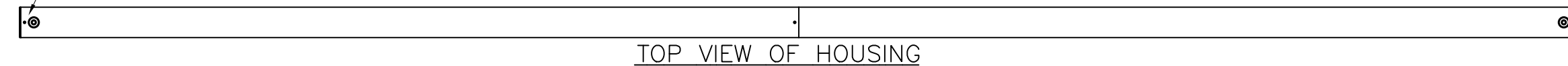


11FT OF 18/2 PLENUM RATED CORD PROVIDED BETWEEN FIXTURE AND REMOTE POWER SUPPLY



RUN EXAMPLE WITH (2) TRACK SECTIONS FED SEPARATELY

CABLE SUSPENSION AND FEED POINT FROM REMOTE POWER SUPPLY (TYP)

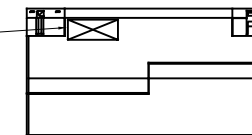


BOTTOM VIEW OF HOUSING

LABELS INDICATING MAXIMUM WATTAGE FOR EACH TRACK SECTION ARE LOCATED ON THE LIVE END FEED POINT FOR EACH TRACK SECTION

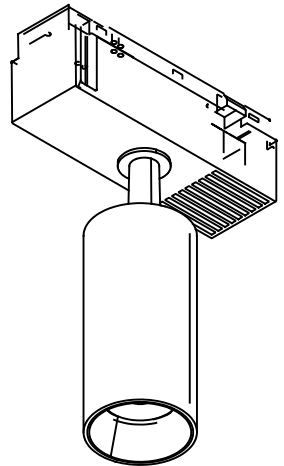
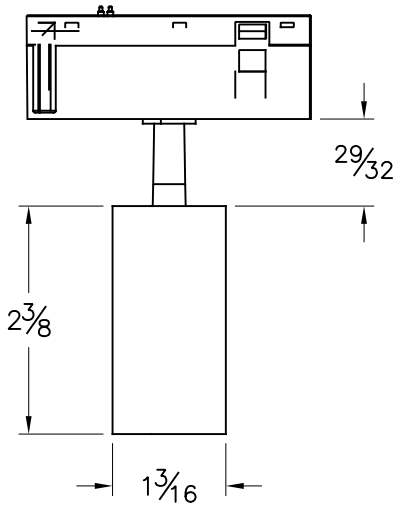
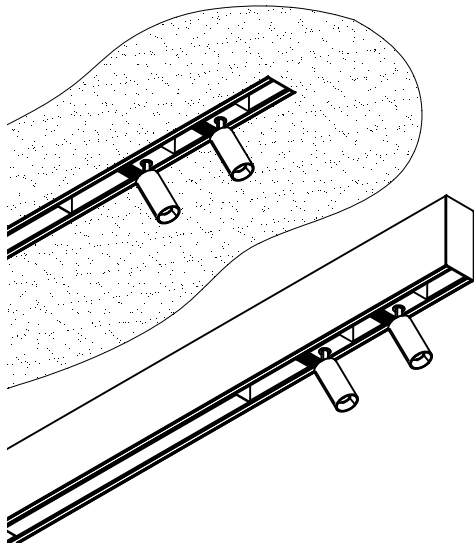
CAUTION!
96 WATTS MAX. THIS SECTION

EACH TRACK INSERT HAS AN ETL LABEL LOCATED ON THE SIDE OF THE UNIT THAT INCLUDES THE WATTAGE OF THAT INSERT. THE SUM OF THE WATTAGE OF ALL INSERTS IN EACH TRACK SECTION MUST NOT EXCEED THAT INDICATED ON THE MAXIMUM WATTAGE LABEL.



**TYPICAL WIRING EXAMPLE
ACTUAL SETUP WILL VARY
BASED ON JOB REQUIREMENTS**

Rev.	Description	Date	By



NOTE: THIS LIGHTING INSERT CAN BE USED IN ANY VERSION OF THE MLS2-FLEX SYSTEM

SPECIFICATIONS

LIGHTING -

DIRECT

MOUNTING -

ADAPTER TO FIT LOW VOLTAGE FLEX SYSTEM TRACK

SIZE -

2 3/8" TALL, 1 3/16" DIA. CYLINDRICAL FIXTURE WITH 1" LONG STEM PROVIDING ANGULAR AND ROTATIONAL ADJUSTMENT

LED -

CREE CXA1304 LED, 9 WATTS, AVAILABLE IN 2700K, 3000K, 3500K AND 4000K, 90 CRI

DRIVER-

REMOTE MOUNTED 42V CONSTANT VOLTAGE 1-10V DIMMABLE POWER SUPPLY PROVIDED IN METAL ENCLOSURE SUITABLE FOR CONNECTION BUILDING POWER, 120/277 VOLT INPUT

LENS-

MOLDED ACRYLIC OPTIC, 26.5°, 32° OR 45.5° BEAM SPREADS AVAILABLE

MATERIAL-

ALUMINUM CONSTRUCTION

FINISH-

BAKED MATTE BLACK (BK) OR WHITE (WH) ENAMEL CYLINDER, STEM AND TRACK ADAPTER MATTE BLACK

CERTIFICATION-

ETL LISTED FOR DRY LOCATIONS

ORDERING INFO:

9310A-XXX/32/WH

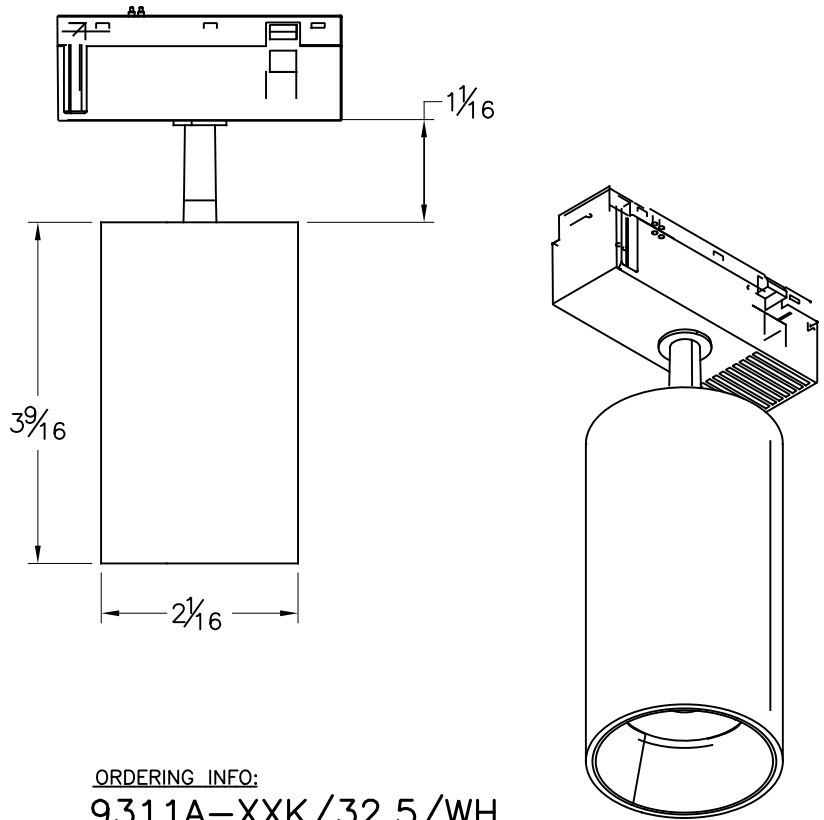
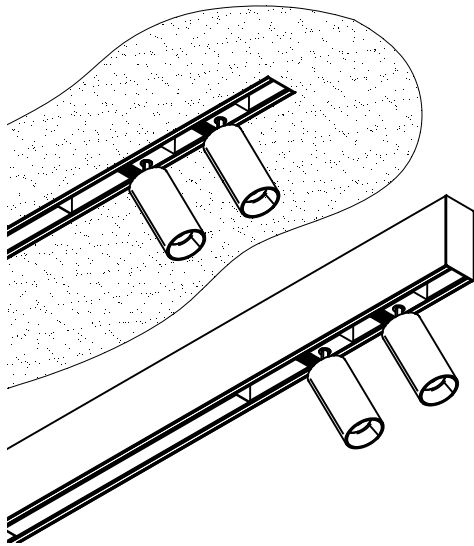
— FINISH
— BEAM SPREAD
— FIRST TWO DIGITS OF CCT



This document contains confidential and proprietary information and cannot not be reproduced or divulged, in whole or part, without authorization in writing by Mercury Architechural Lighting.

Description: 9310A MINI CYLINDER MLS2-FLEX SYSTEM			
Distributor:		Type:	
By: DJL	Date: 8/15/19	Scale: NONE	
Dwg. no.:		Rev.:	Size: A

Rev.	Description	Date	By
------	-------------	------	----



NOTE: THIS LIGHTING INSERT CAN BE USED IN ANY VERSION OF THE MLS2-FLEX SYSTEM

SPECIFICATIONS

LIGHTING -

DIRECT

MOUNTING -

ADAPTER TO FIT LOW VOLTAGE FLEX SYSTEM TRACK

SIZE -

3 9/16" TALL, 2 1/16" DIA. CYLINDRICAL FIXTURE WITH 1" LONG STEM PROVIDING ANGULAR AND ROTATIONAL ADJUSTMENT

LED -

CREE CXA1512 LED, 15 WATTS, AVAILABLE IN 2700K, 3000K, 3500K AND 4000K, 90 CRI

DRIVER-

REMOTE MOUNTED 42V CONSTANT VOLTAGE 1-10V DIMMABLE POWER SUPPLY PROVIDED IN METAL ENCLOSURE SUITABLE FOR CONNECTION BUILDING POWER, 120/277 VOLT INPUT

LENS-

MOLDED ACRYLIC OPTIC, 21.2°, 32.5° OR 34.7° BEAM SPREADS AVAILABLE

MATERIAL-

ALUMINUM CONSTRUCTION

FINISH-

BAKED MATTE BLACK (BK) OR WHITE (WH) ENAMEL CYLINDER, STEM AND TRACK ADAPTER MATTE BLACK

CERTIFICATION-

ETL LISTED FOR DRY LOCATIONS

ORDERING INFO:

9311A-XXK/32.5/WH

FINISH
BEAM SPREAD
FIRST TWO DIGITS OF CCT

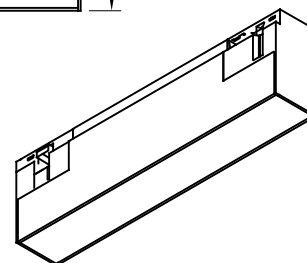
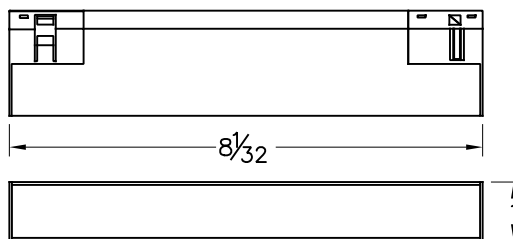
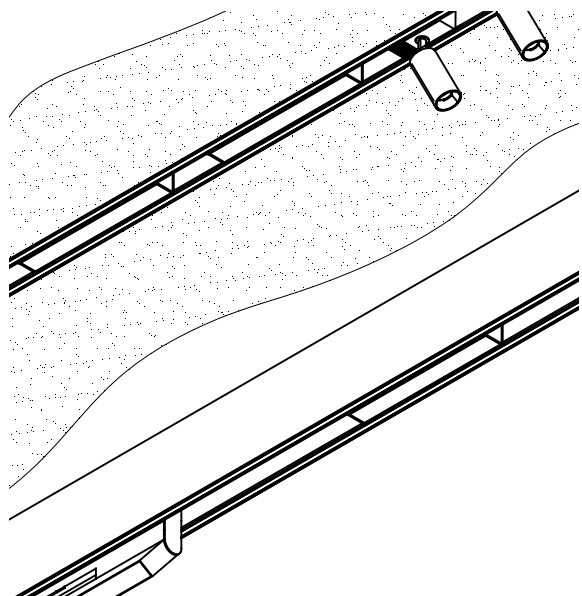


20 Audrey Place Fairfield, NJ 07004 U.S.A.

This document contains confidential and proprietary information and cannot not be reproduced or divulged, in whole or part, without authorization in writing by Mercury Architechural Lighting.

Description: 9311A MEDIUM CYLINDER MLS2-FLEX SYSTEM			
Distributor:		Type:	
By: DJL	Date: 8/15/19	Scale: NONE	
Dwg. no.:		Rev.:	Size: A
SHEET 1 OF 1			

Rev.	Description	Date	By



NOTE: THIS LIGHTING INSERT CAN BE USED IN ANY VERSION OF THE MLS2-FLEX SYSTEM

ORDERING INFO:

9473A-XXK/BK

FINISH

FIRST TWO DIGITS OF CCT

SPECIFICATIONS

LIGHTING -

DIRECT

MOUNTING -

FIXTURE DESIGNED TO FIT LOW VOLTAGE FLEX SYSTEM TRACK

SIZE -

1 3/4" TALL, 1" WIDE, 8" LONG SECTIONS. BOTTOM OF UNIT IS FLUSH WITH BOTTOM OF TRACK WHEN INSTALLED

LED -

SAMSUNG 2835 CONSTANT VOLTAGE LEDS, 6 WATTS, AVAILABLE IN 3000K, 3500K AND 4000K, 90CRI

DRIVER-

REMOTE MOUNTED 42V CONSTANT VOLTAGE 1-10V DIMMABLE POWER SUPPLY PROVIDED IN METAL ENCLOSURE SUITABLE FOR CONNECTION TO BUILDING POWER SUPPLY, 120/277 VOLT INPUT

LENS-

MATTE OPAL WHITE ACRYLIC LENS

MATERIAL-

ALUMINUM CONSTRUCTION

FINISH-

AVAILABLE IN BLACK (BK) OR WHITE (WH) FINISH HOUSING

CERTIFICATION-

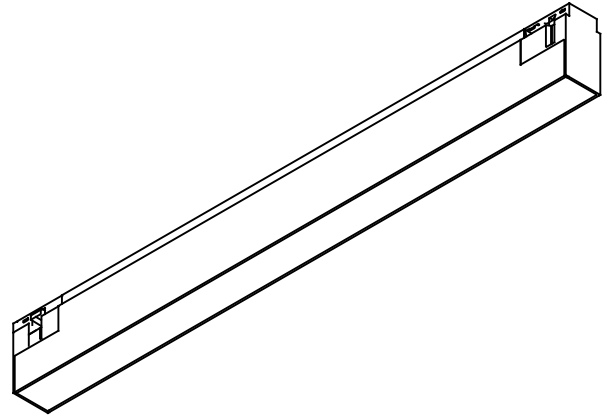
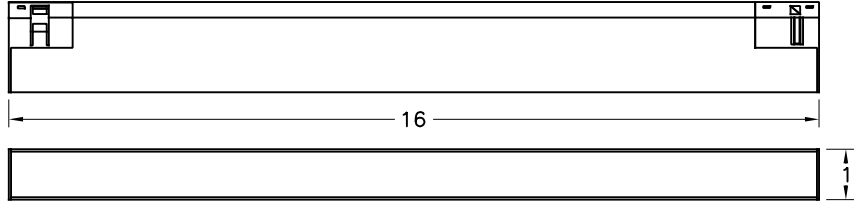
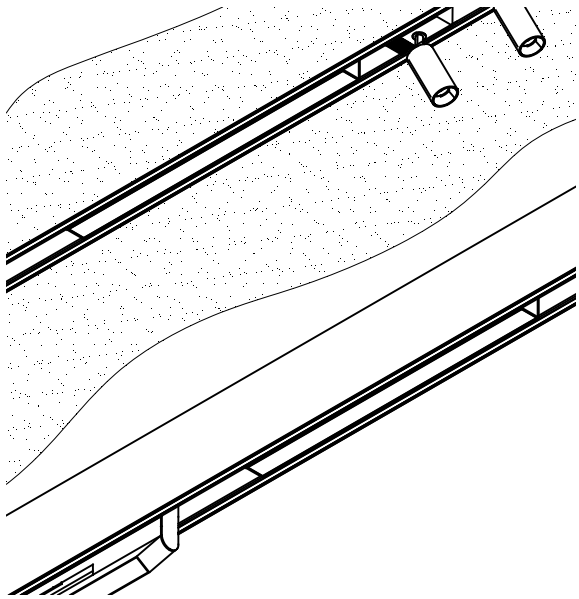
ETL LISTED FOR DRY LOCATIONS

MERCURY ARCHITECTURAL LIGHTING
 20 Audrey Place Fairfield, NJ 07004 U.S.A.

This document contains confidential and proprietary information and cannot not be reproduced or divulged, in whole or part, without authorization in writing by Mercury Architechural Lighting.

Description: 9473A FIXED LENSED LINEAR MLS2-FLEX SYSTEM			
Distributor:		Type:	
By: DJL	Date: 8/15/19	Scale: NONE	
Dwg. no.:		Rev.:	Size: A
SHEET 1 OF 1			

Rev.	Description	Date	By
------	-------------	------	----



NOTE: THIS LIGHTING INSERT CAN BE USED IN ANY VERSION OF THE MLS2-FLEX SYSTEM

SPECIFICATIONS

LIGHTING -

DIRECT

MOUNTING -

FIXTURE DESIGNED TO FIT LOW VOLTAGE FLEX SYSTEM TRACK

SIZE -

1 3/4" TALL, 1" WIDE, 16" LONG SECTIONS. BOTTOM OF UNIT IS FLUSH WITH BOTTOM OF TRACK WHEN INSTALLED

LED -

SAMSUNG 2835 CONSTANT VOLTAGE LEDS, 12 WATTS, AVAILABLE IN 3000K, 3500K AND 4000K, 90CRI

DRIVER-

REMOTE MOUNTED 42V CONSTANT VOLTAGE 1-10V DIMMABLE POWER SUPPLY PROVIDED IN METAL ENCLOSURE SUITABLE FOR CONNECTION TO BUILDING POWER SUPPLY, 120/277 VOLT INPUT

LENS-

MATTE OPAL WHITE ACRYLIC LENS

MATERIAL-

ALUMINUM CONSTRUCTION

FINISH-

AVAILABLE IN BLACK (BK) OR WHITE (WH) FINISH HOUSING

CERTIFICATION-

ETL LISTED FOR DRY LOCATIONS

ORDERING INFO:

9474A-XXK/BK

FINISH

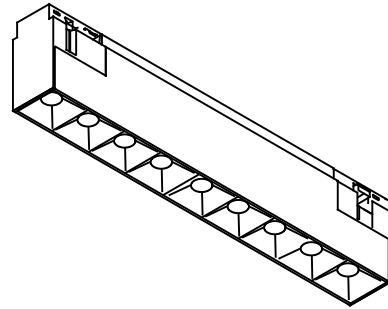
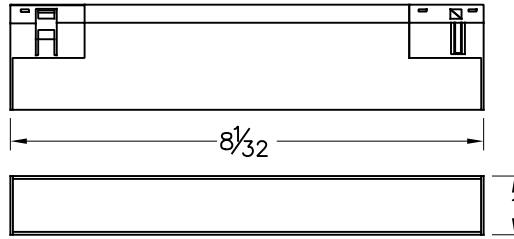
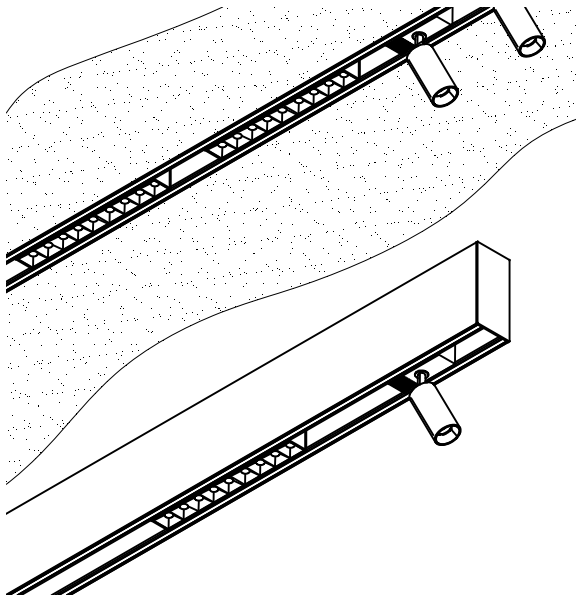
FIRST TWO DIGITS OF CCT



Description: 9474A FIXED LENSED LINEAR MLS2-FLEX SYSTEM			
Distributor:		Type:	
By: DJL	Date: 8/15/19	Scale: NONE	
Dwg. no.:		Rev.:	Size: A
SHEET 1 OF 1			

This document contains confidential and proprietary information and cannot not be reproduced or divulged, in whole or part, without authorization in writing by Mercury Architechural Lighting.

Rev.	Description	Date	By



NOTE: THIS LIGHTING INSERT CAN BE USED IN ANY VERSION OF THE MLS2-FLEX SYSTEM

ORDERING INFO:

9483A-XXK/12.6/WH
 ——— FINISH
 ——— BEAM SPREAD
 ——— FIRST TWO DIGITS OF CCT

SPECIFICATIONS

LIGHTING -

DIRECT

MOUNTING -

FIXTURE DESIGNED TO FIT LOW VOLTAGE FLEX SYSTEM TRACK

SIZE -

1 3/4" TALL, 1" WIDE, 8" LONG SECTIONS. BOTTOM OF UNIT IS FLUSH WITH BOTTOM OF TRACK WHEN INSTALLED

LED -

CREE XPG2 CONSTANT VOLTAGE LEDS, 12 WATTS, AVAILABLE IN 3000K, 3500K AND 4000K, 90CRI

DRIVER-

REMOTE MOUNTED 42V CONSTANT VOLTAGE 1-10V DIMMABLE POWER SUPPLY PROVIDED IN METAL ENCLOSURE SUITABLE FOR CONNECTION TO BUILDING POWER SUPPLY, 120/277 VOLT INPUT

LENS-

GLOSS BLACK 9-CELL LOUVER WITH OPTICAL LENSES, AVAILABLE IN 9', 12.6' AND 24.5' BEAM SPREADS

MATERIAL-

ALUMINUM CONSTRUCTION

FINISH-

AVAILABLE IN BLACK (BK) OR WHITE (WH) FINISH HOUSING

CERTIFICATION-

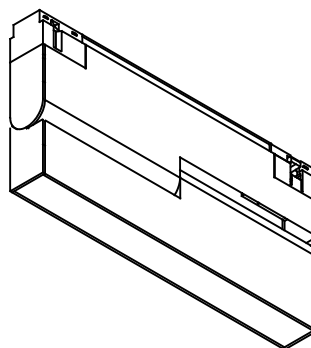
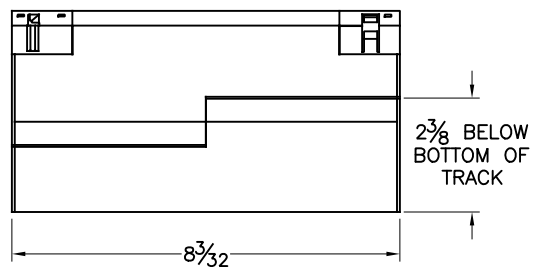
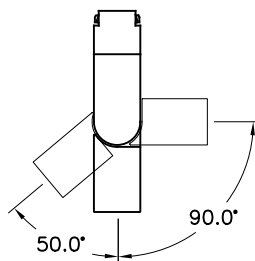
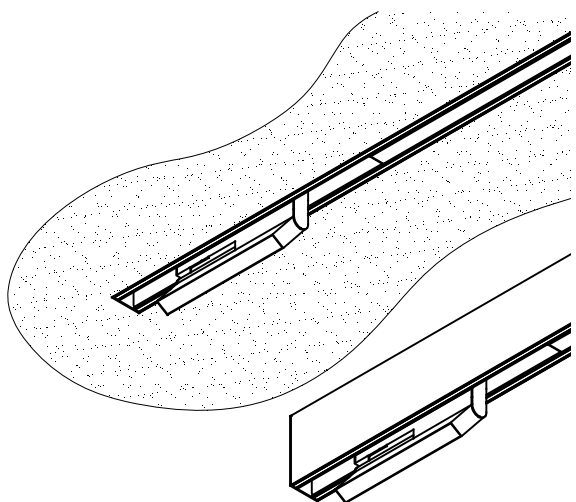
ETL LISTED FOR DRY LOCATIONS

MERCURY ARCHITECTURAL LIGHTING
 20 Audrey Place Fairfield, NJ 07004 U.S.A.

This document contains confidential and proprietary information and cannot not be reproduced or divulged, in whole or part, without authorization in writing by Mercury Architechural Lighting.

Description: 9483A FIXED LOUVERED LINEAR MLS2-FLEX SYSTEM			
Distributor:		Type:	
By: DJL	Date: 8/15/19	Scale: NONE	
Dwg. no.:		Rev.:	Size: A
SHEET 1 OF 1			

Rev.	Description	Date	By
------	-------------	------	----



NOTE: THIS LIGHTING INSERT CAN BE USED IN ANY VERSION OF THE MLS2-FLEX SYSTEM

SPECIFICATIONS

LIGHTING -

DIRECT

MOUNTING -

FIXTURE DESIGNED TO FIT LOW VOLTAGE FLEX SYSTEM TRACK

SIZE -

2 3/8" TALL, 1" WIDE, 8" LONG, SIDE ADJUSTABLE AS INDICATED ABOVE

LED -

SAMSUNG 2835 CONSTANT VOLTAGE LEDS, 7 WATTS, AVAILABLE IN 3000K, 3500K OR 4000K, 90CRI

DRIVER-

REMOTE MOUNTED 42V CONSTANT VOLTAGE 1-10V DIMMABLE POWER SUPPLY PROVIDED IN METAL ENCLOSURE SUITABLE FOR CONNECTION TO BUILDING POWER SUPPLY, 120/277 VOLT INPUT

LENS-

MATTE OPAL WHITE ACRYLIC LENS

MATERIAL-

ALUMINUM CONSTRUCTION

FINISH-

BAKED MATTE BLACK (BK) OR WHITE (WH) ENAMEL

CERTIFICATION-

ETL LISTED FOR DRY LOCATIONS

ORDERING INFO:

9620A-XXK/BK

FINISH

FIRST TWO DIGITS OF CCT



This document contains confidential and proprietary information and cannot not be reproduced or divulged, in whole or part, without authorization in writing by Mercury Architechural Lighting.

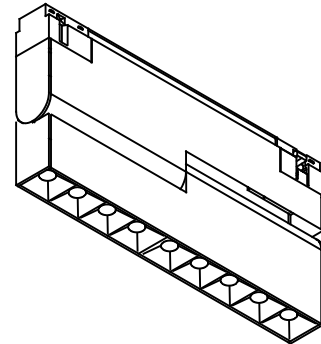
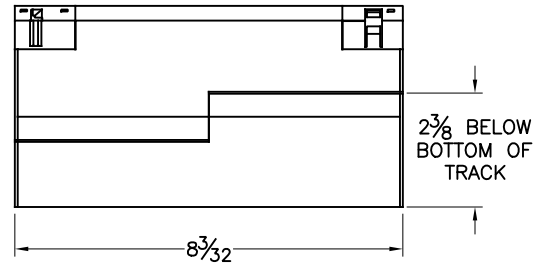
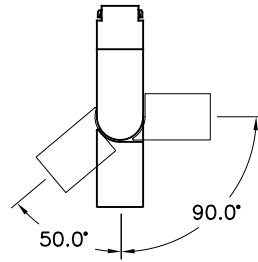
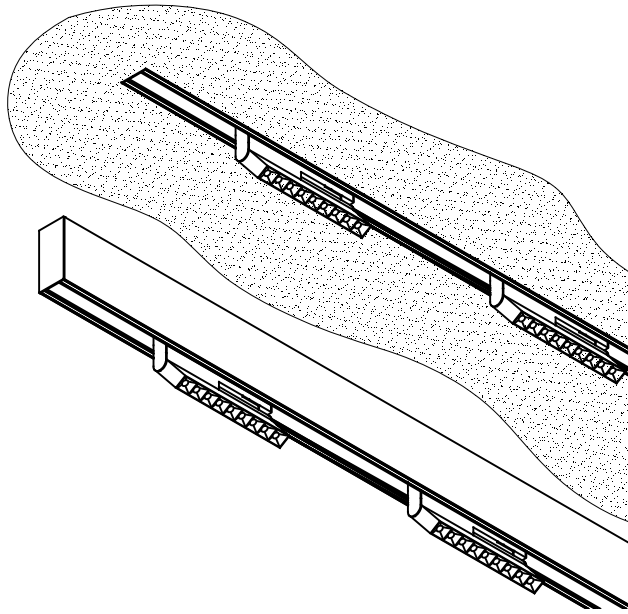
Description: **9620A ADJUSTABLE LENSED LINEAR**
MLS2-FLEX SYSTEM

Distributor: _____ Type: _____

By: DJL Date: 8/15/19 Scale: NONE

Dwg. no.: _____ Rev. _____ Size: A

Rev.	Description	Date	By
------	-------------	------	----



NOTE: THIS LIGHTING INSERT CAN BE USED IN ANY VERSION OF THE MLS2-FLEX SYSTEM

SPECIFICATIONS

LIGHTING -

DIRECT

MOUNTING -

FIXTURE DESIGNED TO FIT LOW VOLTAGE FLEX SYSTEM TRACK

SIZE -

2 3/8" TALL, 1" WIDE, 8" LONG, SIDE ADJUSTABLE AS INDICATED ABOVE

LED -

CREE XPG2 CONSTANT VOLTAGE LEDS, 12 WATTS, AVAILABLE IN 3000K, 3500K OR 4000K, 90CRI

DRIVER-

REMOTE MOUNTED 42V CONSTANT VOLTAGE 1-10V DIMMABLE POWER SUPPLY PROVIDED IN METAL ENCLOSURE SUITABLE FOR CONNECTION TO BUILDING POWER SUPPLY, 120/277 VOLT INPUT

LENS-

GLOSS BLACK 9-CELL LOUVERED FACE WITH MOLDED OPTICAL LENSES, AVAILABLE IN 9°, 12.6° AND 24.5° BEAM SPREADS

MATERIAL-

ALUMINUM CONSTRUCTION

FINISH-

BAKED MATTE BLACK (BK) OR WHITE (WH) ENAMEL HOUSINGS

CERTIFICATION-

ETL LISTED FOR DRY LOCATIONS

ORDERING INFO:

9630A-XXK/12.6/WH

FINISH
BEAM SPREAD
FIRST TWO DIGITS OF CCT



This document contains confidential and proprietary information and cannot not be reproduced or divulged, in whole or part, without authorization in writing by Mercury Architechural Lighting.

Description:		9630A ADJUSTABLE LOUVERED LINEAR MLS2-FLEX SYSTEM	
Distributor:		Type:	
By: DJL	Date: 8/15/19	Scale: NONE	
Dwg. no.:		Rev.:	Size: A
SHEET 1 OF 1			