

Fixture Type:

Job Name:

Series MME

Recessed Channel Lighting System

**DESCRIPTION:**

A fully assembled one-piece open lamp lighting system for recessed installations into all grid ceilings. When compared to conventional strip lighting, this system provides an unobstructed, visually comfortable ceiling plane with over 50% reduced high angle ceiling glare. It reflects over 50% more light output into the critical work plane area making this lighting system perfect for all mass merchandising retail applications. Available in 1X8 and 1X4 modules with easy install contractor friendly features. All modules can be installed in rows or individually. Available for T8 or T12 lampping with electronic or magnetic ballasts.

CONSTRUCTION:

A one-piece combination housing and reflector assembly is precision die formed from heavy gauge code grade or optional 20GA cold rolled steel. Die formed end plates close off the trough assuring rigidity and straight rows, permanently lock the socket saddles into place, and are securely riveted onto the housing. These end plates are open at the wiring compartment to allow easy wire-through when mounting in rows. An access plate is provided with each end to close off the wiring compartment at the row ends only. Embossed four-foot long ballast covers lock into place with one cam lock making installations and servicing an easy one-person job.

ELECTRICAL:

Check ordering data for specific lampping combinations. All electrical components are UL approved. Ballasts are standard as T8 electronic or T12 magnetic. Selected T8 magnetic and T12 electronic ballasts are optional where available. Electronic ballasts are high power factor, normal light output, and have harmonics of less than 20%. Special ballast

performance criteria such as low watt, high light output, and less than 10% THD should be specified. A multiple lamp ballast operating 4-lamps where available is standard unless specified with two-ballast option. Magnetic ballasts are high power factor, energy saving type where available. Other optional ballasts include but are not limited to magnetic T12 HO, electronic and magnetic dimming types, emergency battery packs, and other commercially available products as specified. Special wiring, tandem wiring, and master-slave wiring are available. Quick wiring single or double circuit plug-through harnesses are available to speed installations. Standard voltages are 120V-60HZ and 277V-60HZ or as specified. Sufficient knockouts are provided along the top of the housing and in each access plate at the ends for all wiring connections. All fixtures meet UL standards and bear their label. Union made and labeled.

MOUNTING:

Suitable for recessed mounting in all T-grid ceiling types, 1" or 9/16" sizes. Preferred ceiling to have main tees on one-foot centers with cross tees placed at 4ft. or 8ft. spacing depending on the size of the modules used. Row spacing to be determined prior to installation based on job conditions and layout. All units are designed to be used individually or in continuous rows. No additional parts or connectors are needed for row mounting. Install one supplied end access plate at the ends of all rows or on all individually mounted fixtures. Each fixture housing end plate incorporate auxiliary suspension points for both wire or threaded rod to facilitate supporting the fixtures to a permanent building structure above. Earthquake clips are available also. Each end plate is pre-drilled to allow securely screwing fixtures together in the field when row mounting.

FINISH:

A baked white enamel finish is applied to all parts after a multi-stage cleaning and phosphate coating for maximum paint adherence and rust inhibition. Will provide a minimum reflectivity of 87%. Optional 95% reflectivity silver or other specular finishes available.



Fixture Type:

Job Name:

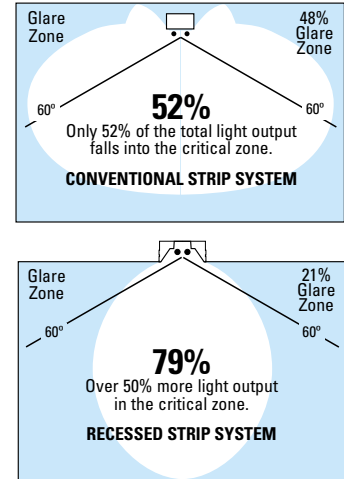
| Series | No. of Lamp Cross | Wattage Length | Lamp Type | Tandem Housing | Ballast Type | Voltage | Misc. |
|------------|--------------------|--|----------------------------------|---|---|-------------------------------|--|
| MME | -1 Lamp | -32 32W-T8-48" | -OCT Octron T8 | /8T 96" Housing 2-48" or 4-48" Lamps | -ELB Electronic T8 or T12 | -120V 120 Volt-60HZ | -EMPK Emergency Pack I-24, B-100 |
| | -2 Lamps | -40 34/40W-T12- 48" | -RS Rapid Start T12 | /16T 2-96" Housings 2-96" Lamps 1-Lamp Cross Only | -ELB-HP Electronic T8 < 10% THD | -277V 277 Volt-60HZ | -EMPKS Emergency Pack I-80, B-50 |
| | | -48 30/39W-SL- T12- 48" | Blank SL-T12 HO-T12 | Blank 4 FT Units | -ELBL Electronic T8 Low Watt | Other Voltages | -P1 Single Circuit Plug Thru |
| | | -59 59W-T8- 96" | | | -ELBH Electronic T8 High Light Output | | -P2 Dual Circuit Plug Thru |
| | | -86-HO 86W-T8- 96" | | | -ESB Energy Saving T12 | | -20 GA 20 Ga Housing NYC Approved |
| | | -96 60/75W-SL- T12- 96" | | | - | | -TILW Tandem-In-Line Wiring |
| | | -96-HO 95/110W-T12 96" Electronic T12 Only | | | Blank Magnetic T8 & 48 SL & 96-SL | | -MS Master Slave Wiring |
| | | | | | | | |
| | | | | | | | |
| | | | | | | | |

Photometrics

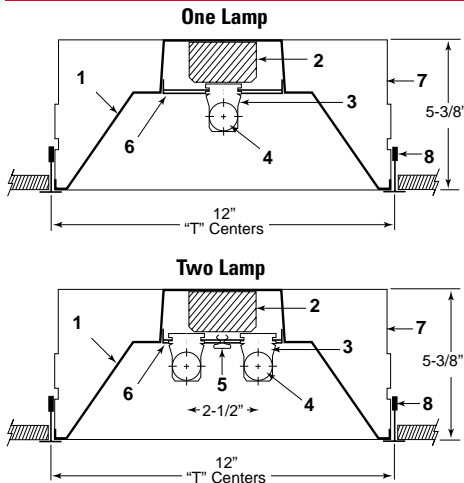
MME-232-OCT-ELB-120V

| LTL # 04490 | | ZONAL CAVITY COEFFICIENTS OF UTILIZATION EFFECTIVE FLOOR CAVITY REFLECTANCE=0.20 | | | | | | | | | | | | CANDLEPOWER DISTRIBUTION | | | | | | | | | | | | | |
|-------------|-----|---|-----|-----|-----|-----|-----|-----|-----|-----|-----|-----|-----|-----------------------------|-----|-----|-----|-----|-----|-----|-----|-----|-----|-----|----|----|----|
| CEILING | | 80 | | | | 70 | | | | 50 | | | | 30 | | | | 10 | | | | 0 | | | | | |
| WALL | | .70 | .50 | .30 | .10 | .70 | .50 | .30 | .10 | .50 | .30 | .10 | .50 | .30 | .10 | .50 | .30 | .10 | .50 | .30 | .10 | .50 | .30 | .10 | | | |
| RCR | | | | | | | | | | | | | | | | | | | | | | | | | | | |
| 0 | 105 | 105 | 105 | 105 | 105 | 103 | 103 | 103 | 103 | 98 | 98 | 98 | 94 | 94 | 94 | 90 | 90 | 90 | 88 | 88 | 88 | 84 | 84 | 84 | 80 | 80 | 80 |
| 1 | 97 | 93 | 90 | 87 | 95 | 91 | 88 | 85 | 88 | 85 | 83 | 84 | 82 | 80 | 81 | 79 | 78 | 76 | 76 | 76 | 72 | 69 | 66 | 64 | 64 | 64 | |
| 2 | 89 | 82 | 76 | 72 | 87 | 80 | 75 | 71 | 77 | 73 | 69 | 74 | 71 | 68 | 72 | 69 | 66 | 64 | 64 | 64 | 60 | 57 | 55 | 55 | 55 | 55 | |
| 3 | 81 | 72 | 66 | 60 | 79 | 71 | 65 | 60 | 68 | 63 | 59 | 66 | 61 | 58 | 64 | 60 | 57 | 55 | 55 | 55 | 52 | 48 | 47 | 47 | 47 | 47 | |
| 4 | 74 | 64 | 57 | 51 | 72 | 63 | 56 | 50 | 61 | 55 | 50 | 59 | 53 | 49 | 57 | 52 | 48 | 47 | 47 | 47 | 45 | 41 | 40 | 40 | 40 | 40 | |
| 5 | 68 | 56 | 48 | 43 | 66 | 55 | 48 | 42 | 53 | 47 | 42 | 52 | 45 | 41 | 50 | 45 | 41 | 38 | 38 | 38 | 35 | 33 | 33 | 33 | 33 | 33 | |
| 6 | 62 | 50 | 42 | 36 | 60 | 49 | 42 | 36 | 48 | 41 | 36 | 46 | 40 | 36 | 45 | 39 | 35 | 33 | 33 | 33 | 31 | 29 | 29 | 29 | 29 | 29 | |
| 7 | 57 | 45 | 37 | 32 | 55 | 44 | 37 | 31 | 43 | 36 | 31 | 42 | 35 | 31 | 40 | 33 | 31 | 29 | 29 | 29 | 27 | 25 | 25 | 25 | 25 | 25 | |
| 8 | 52 | 40 | 32 | 27 | 51 | 39 | 32 | 27 | 38 | 31 | 27 | 37 | 31 | 26 | 36 | 30 | 26 | 25 | 25 | 25 | 23 | 21 | 21 | 21 | 21 | 21 | |
| 9 | 48 | 36 | 28 | 23 | 47 | 35 | 28 | 23 | 34 | 27 | 23 | 33 | 27 | 23 | 32 | 27 | 23 | 21 | 21 | 21 | 20 | 18 | 18 | 18 | 18 | 18 | |
| 10 | 44 | 32 | 25 | 20 | 43 | 32 | 25 | 20 | 31 | 24 | 20 | 31 | 24 | 20 | 28 | 24 | 20 | 18 | 18 | 18 | 17 | 15 | 15 | 15 | 15 | 15 | |

Performance Comparison



Cross Sections



1. Housing: Die Formed One Piece Housing/Reflector
2. Ballast
3. Sockets
4. Lamps By Others
5. Cam Loc
6. Ballast Cover
7. Full End Plate
8. "T" Bar & Ceiling Tiles By Others

Continuous Row Mounting



P1 or P2 Plug Thru Quick Connect Option



20 AUDREY PLACE, FAIRFIELD, NEW JERSEY 07004 □ 973-244-9444 □ FAX 973-244-9522

All dimensional data subject to change, consult factory when critical.

Visit our web site at www.merclgt.com