

Fixture Type: _____

Job Name: _____

Series M99

Linear T5 or T8 Fluorescent Wall Washer**DESCRIPTION:**

- Triangular-shaped surface mounted luminaire, evenly illuminates walls from the ceiling down to the floor.
- Utilizes all linear T5, T5 high output, and T8 fluorescent lamps. One or two-lamp cross sections. Available modules; 2Ft., 3Ft., 4Ft., 6Ft., and 8ft.
- Applications: Retail merchandising, food and grocery outlets, displays, signage, billboards, and other information panels.
- Housings: Die formed code grade cold rolled steel. Spot-welded end plates for maximum strength and uniformity. Internal steel reflector screws into housing and closes off wiring compartment. All steel housing parts finished with a baked on white enamel paint with a minimum reflectivity of 87%. Optional optical reflector is fabricated from Miro-4 enhanced specular aluminum with a 95% reflectivity.
- Ballasts T5: Electronic programmed start, normal light output, high power factor, THD less than 10% most ballast/lamp combinations. Lutron or Advance dimming ballasts as specified. Most ballasts standard as multi-volt, 120V-277V 50HZ-60HZ.
- Optional wiring: Two ballasts for dual circuitry. Tandem-in-line wiring. Single or dual circuit quick connect plug through wiring harnesses.
- Emergency battery back up: Integrated pack ranges from 500-lumen output up to 1400 lumens.
- Installations: Surface mount individually or in continuous rows. Sufficient knockouts provided on the back and on the ends for all wiring feeds.
- UL listed 1598 with CUL approval and bears their label. Suitable for dry locations or optional damp locations with UL Damp Label. Union made and labeled.
- Ballasts T8: Electronic instant start, normal light output, high power factor, THD less than 20%. Up to 4-lamps per ballast is standard. Optional T8 performances: rapid start circuit, high light output, low-watt, THD less than 10%. Lutron or Advance dimming ballasts as specified. Dedicated voltages; 120V-60HZ or 277V-60HZ. Optional multi-volt operates a range from 120V-277V, 50HZ-60HZ, and is less than 10% THD.



**MERCURY
LIGHTING**
PRODUCTS CO. INC.

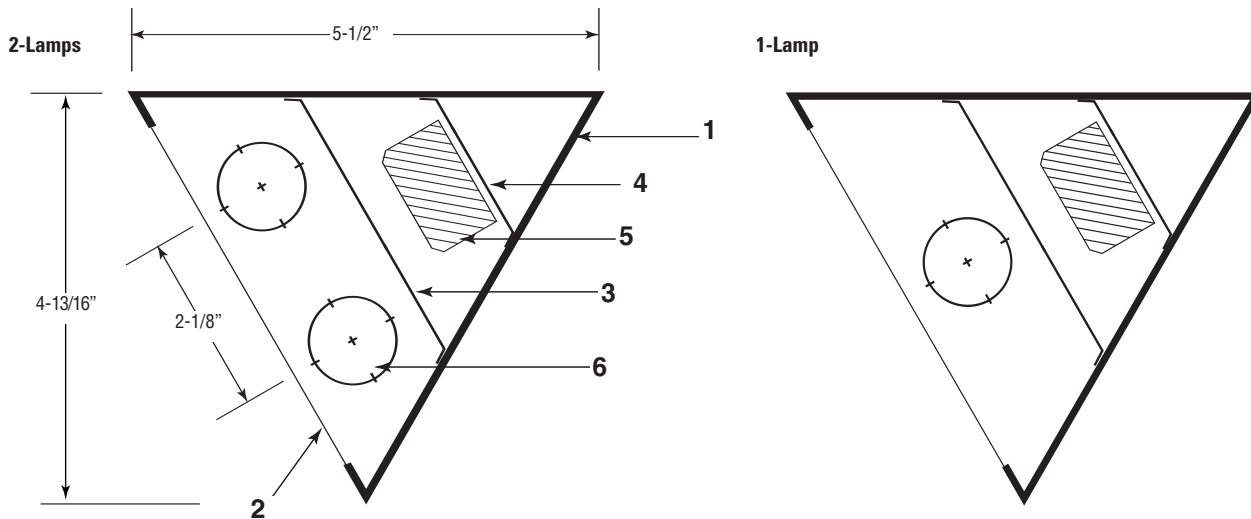
EX: M99-232-OCT/8T-ELB-UNI-P1

Series	Number of Lamps Cross	Lamp Wattage/Ea./ Fixture Length	Lamp Type	Tandem Housing/ Fixture Length	Optional Optical Reflector	Ballast Type	Voltage	Misc	
M99	-1 Lamp	STANDARD T5 LAMPS	-T5 Linear T5	All 2Ft., 3Ft., 4Ft. Leave Blank	Blank/Standard 87% Reflective Steel Reflector	-ELB T5 Electronic Programmed Start <10%THD. (Most Ballast/Lamp Combinations). Up to 2-Lamps/Ballast.* *Except: 4-Lamp 54W-HO-T5.	-UNI T5 Universal Voltage, Multi-Volt 120V-277V, 50HZ-60HZ.	-EMPK/ISL28 ISL-28 or Equal 500 Lumens, One T5 Lamp.	
		-14 14W-T5/24"	-HO-T5 Linear High Output T5	/6T 72" Housing, 3Ft. Lamps In Tandem	MRT Miro-4 95% Reflective Enhanced Specular Aluminum Reflector				
	-2 Lamps	-21 21W-T5/36"	-OCT Linear T8	/8T 96" Housing, 4Ft. Lamps In Tandem		-ELB T8 Electronic Instant Start. Up to 4-Lamps/Ballast.	-UNI T8 Universal Voltage, Multi-Volt 120V-277V, 50HZ-60HZ, <10%THD. (Most Ballast/Lamp Combinations).	-EMPK/ISL54 ISL-54 or Equal 825 Lumens, One T5 or HO-T5 Lamp.	
		-28 28W-T5/48"	STANDARD T8 LAMPS			-ELBL T8 Electronic Instant Start Low Watt. Up to 4-Lamps/Ballast.			
		HIGH OUTPUT T5 LAMPS				-ELBH T8 Electronic Instant Start High Light Output. Up to 4-Lamps/Ballast.			
		-24 24W-HO-T5/24"	-17 17W-T8/24"			-ELBS T8 Electronic Rapid Start <10%THD. (Most Ballast/Lamp Combinations.) Up to 4-Lamps/Ballast.	-120V T8 120V-60HZ	-EMPK/ISL540 ISL-540 or Equal 1300 Lumens, One T5 or HO-T5 Lamp.	
		-39 39W-HO-T5/36"	-25 25W-T8/36"			-ELBD T5 or T8 Electronic Dimming, Lutron or Advance as Specified. Up to 2-Lamps/Ballast.			-277V T8 277V-60HZ
		-54 54W-HO-T5/48"	-32 32W-T8/48"			-ELB- T5 or T8 Electronic As Specified			
									-EMPK/I32 I-32 or Equal 550 Lumens, One T8 Lamp.
									-EMPK/I48 I-48 or Equal 700 Lumens, One or Two T8 Lamps.
									-EMPK/I80 I-80 or Equal 1300 Lumens, One T5 or HO-T5 Lamp, One or Two T8 Lamps.
									-P1 Single Circuit Plug Thru
									-P2 Dual Circuit Plug Thru
									-2B Two Ballasts for Dual Circuit
									-TILW Tandem-In-Line Wiring

Fixture Type: _____

Job Name: _____

Dimensional Data / Cross Sections



- 1 Housing
- 2 Full Size End Cap
- 3 Internal Reflector
- 4 Ballast Bracket
- 5 Ballast / Small Can Design
- 6 Lamp T8 (Others)

Top Knockout Plans

