

Fixture Type:

Job Name:

Series M2000

Sign & Facade Luminaire



SERIES FEATURES:

- Weatherproof Outdoor Luminaire
- U.L. Wet Location Approved
- Parabolic Shaped Housing for Superior Performance
- Full 360° Aiming Rotation
- Lengths of 3ft., 4ft., 6ft., 8ft.
- T8 or T12 Lamping
- Weatherproof T12-HO & T12-VHO Ballasts
- Standard Ballasts for All Lamping Combinations

MERCURY

LIGHTING PRODUCTS COMPANY, INC.

DESCRIPTION:

A parabolic shaped extruded aluminum housing and interior reflector provide maximum illumination to signs and billboards, building facades and entranceways, and for general outdoor flood lighting purposes. The housing is designed to be supported by rigid conduit and is capable of rotating 360 degrees to allow for desired aiming angles. The housing is a separate component, controlled by a remote located ballast, either a weatherproof and sealed version or a standard type ballast. A non-weatherproof ballast box is available for use with standard ballasts. Mount individually or in rows to achieve uniform linear illumination with little vertical graduation. Available nominal lengths are 3ft., 4ft., 6ft., and 8ft. with one- or two-lamp cross sections. UL wet location approved and labeled for horizontal or below-horizontal aiming. For aiming above horizontal, specify with weep holes to maintain UL wet location approval and appropriate labeling.

CONSTRUCTION:

The parabolic shaped housing is extruded aluminum in a .062" thickness for strength, corrosion and weather resistance, and long lasting performance. Incorporated into the extrusion is the internal wireway at the top for all wires to pass through. Integral grooves running the full length on both sides of the opening allow the diffuser to slide-in and create a moisture- and insect-proof barrier. Two heavy gauge die cast aluminum end caps are permanently riveted onto the housing with aluminum rivets to complete the seal. Two heavy gauge die cast aluminum junction boxes with neoprene gaskets are provided with each housing and are required to be screwed onto the housing with supplied aluminum hardware. Each junction box is capable of rotating on the end a full 360 degrees. A gasketed access plate on the side of the box allows entry to the wire splices. The round end cap with neoprene gasket is removable for entry or for the attachment of another housing to create continuous runs.

ELECTRICAL:

All luminaires are ordered and shipped in two parts, a housing and a ballast. Ballasts are for remote mounting only and are not an integral part of the housing. The housing must be specified for the type of lamp to be used, thereby the correct sockets are installed. Recessed double contact (RDC) sockets are compatible with 3ft., 4ft., 6ft., and 8ft. T12 High Output (HO) and T12 Very High Output (VHO) lamps, and for 4ft. and 8ft. T8 High Output Octron lamps. Single pin base (SPB) sockets are compatible with 3 ft., 4ft., 6ft., and 8ft. T12 Slimline lamps, and for 8ft. T8 Octron lamps. Medium bi-pin (MBP) sockets are compatible with 3ft., and 4ft. T12 Rapid Start and T8 Octron lamps. All sockets sets have spring action and gasket facing to form a weather tight

seal. Color-coded wires are pulled through the wireway and hang out the ends, ready for field connections to the proper ballast and wiring scheme. Check ordering data for applicable ballasts. Weatherproof type ballasts are UL approved for remote mounting and exposure to direct rain or snow. They will provide reliable lamp starting to -20 degrees F, and are available to operate most one- and two-lamp T12 High Output and T12 Very High Output lamp combinations. Weatherproof ballasts are sealed in an extruded aluminum can with a 3/4", 14 N.P. threaded nipple at one end which should be mounted downward. Exposed wire leads exit the ballast through a silicon plug in the nipple. An aluminum mounting bracket with keyholes and a stainless steel band and threaded fastener is included. All other lamp combinations are intended to be fired by indoor type industry standard ballasts. They are available in all lamping forms including T8 and T12 electronic or magnetic, some with 0 degree F starting. These ballasts would need to be mounted in a separate ballast box or enclosure. A steel non-weather resistant ballast box is available with or without the ballast pre-mounted inside the box. Weather-proof enclosures are commercially available from others.

DIFFUSER:

A clear smooth extruded acrylic one-piece plastic shield is standard. Acrylic smooth white diffuser is optional. Two aluminum retainers holding the diffuser in place are easily removed for lamp servicing and cleaning.

MOUNTING:

Housings are supported by standard 3/4", 14 N.P. rigid conduit supplied by others. Length of conduit to be determined by lighting and field conditions. Conduit threads into each junction box. Use one junction box at each housing end. Remove the round end plate and maintain the neoprene gasket for end-on-end continuous mounting. Ballasts should be mounted no more than 15ft. away from the housings.

FINISH:

Exterior of the housing, die cast ends, and die cast junction boxes are natural aluminum color with a diffuse anodized finish. Interior reflector is finished with a high gloss baked white enamel for maximum reflectivity and performance. Optional white finish to be same baked enamel to all exterior parts including ends and junction boxes.

Fixture Type:

Job Name:

Series	No. of Lamp Cross	Lamp Length / Wattage / Nom. Fixture Length		Lamp Type/Socket Type	Misc.
M2000	-1 Lamp	-36 3Ft. Lamp/Nom. 3Ft. Housing 30W-SL-T12	-72 6Ft. Lamp/Nom. 6Ft. Housing 55W-SL-T12	-SL Slimline T12 SPB	-WHT White Finish
	-2 Lamps	45W-HO-T12	85W-HO-T12 160W-VHO-T12	-HO High Output T12 Very High Output T12 RDC	-ASW Acrylic Smooth White Diffuser
		-44 4Ft. Lamp/Nom. 4Ft. Housing 44W-HO-OCT-T8	-86 8Ft. Lamp/Nom. 8Ft. Housing 86W-HO-OCT-T8		-WH Weep Holes for Aiming Above Horizontal
		-48 4Ft. Lamp/Nom. 4Ft. Housing 32/39W-SL-T12 60W-HO-T12 115W-VHO-T12	-96 8Ft. Lamp/Nom. 8Ft. Housing 60/75W-SL-T12 95/110W-HO-T12 195/215W-VHO-T12	-OCT Octron T8 SPB/59W	
		-59 8Ft. Lamp/Nom. 8Ft. Housing 59W-OCT-T8		-HO-OCT RDC/86W & 44W	

Section 2/ MBP (Medium BI-Pin) Type Socketed Housings. Ballasts Not Included. See Ballast Section For Available Ballasts.

Series	No. of Lamp Cross	Lamp Length / Wattage / Nom. Fixture Length		Lamp Type/Socket Type	Tandem Housing/ Length	Misc.
M2000	-1 Lamp	-25 3Ft. Lamp/Nom. 3Ft. Housing 25W-OCT-T8	-32 4Ft. Lamp/Nom. 4Ft. Housing 32W-OCT-T8	-OCT Octron T8 MBP	/6T Nom. 6Ft. HSG 2-3Ft. or 4-3Ft. Lamps	-WHT White Finish
	-2 Lamps	-30 3Ft. Lamp/Nom. 3Ft. Housing 25/30W-RS-T12	-40 4Ft. Lamp/Nom. 4Ft. Housing 34/40W-RS-T12	-RS Rapid Start T12 MBP	/8T Nom. 8Ft. HSG 2-4Ft. or 4-4Ft. Lamps	-ASW Acrylic Smooth White Diffuser
					- Blank for 3Ft. & 4Ft. Housings	-WH Weep Holes for Aiming Above Horizontal

Section 3 / Weather Proof Ballasts

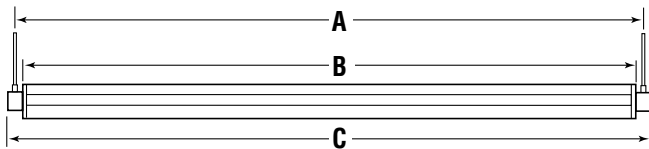
Catalog Number	Manufacturer	Operates/Voltage
WPR-490-X-LH RC-2S85-FO	Magnetek Advance	1-48-HO-120V 1-72-HO-120V 1-96-HO-120V 2-48-HO-120V 2-72-HO-120V
WPR-480-X-LH RC-2S110-FO	Magnetek Advance	2-72-HO-120V 2-96-HO-120V
VC-2S110-FO	Advance	2-72-HO-277V 2-96-HO-277V
RC-2S102-FO	Advance	1-48-VHO-120V 1-72-VHO-120V 1-96-VHO-120V 2-48-VHO-120V

Catalog Number	Manufacturer	Operates/Voltage
VC-2S102-FO	Advance	1-48-VHO-277V 1-72-VHO-277V 1-96-VHO-277V 2-48-VHO-277V
WPR-951	Magnetek	1-72-VHO-120V 1-96-VHO-120V
WPR-931 RS-2S200-FO	Magnetek Advance	2-72-VHO-120V 2-96-VHO-120V
VS-2S200-FO	Advance	2-72-VHO-277V 2-96-VHO-277V

Notes:

- A.** Advance Ballast are in rectangular can.
- B1.** For all other lamping combinations, standard indoor type ballast must be used.
Order by description:
**Ex: Ballast-232-OCT-ELB-120V or
Ballast-286-HO-OCT-ELB-120V**
- B2.** If Required, order steel non-weather proof ballast box
Ex: 15" Ballast Box
- B3.** Commercially available weather proof enclosures can be sourced through distribution.
- C.** Multiple lamp ballast are recommended for operating multiple fixtures.
**Ex. 2-Cat# M2000-196-HO & 1-#WPR-480-X-LH or
2-Cat# M2000-132-OCT/8T & 1-#Ballast-432-OCT-ELB-120V**

Mounting Dimensions

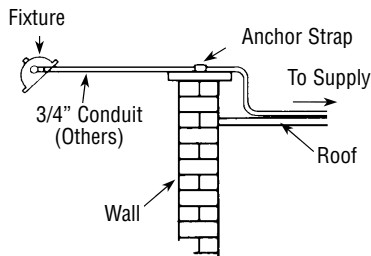


A= Conduit Mounting Center to Center
B= Housing Length
C= Overall Length of Individual Units

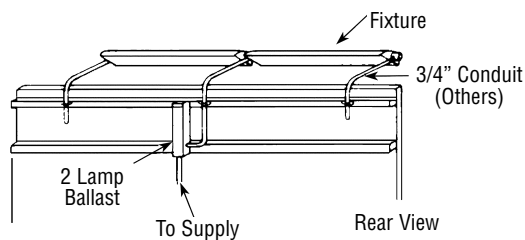
Size	A	B	C
3Ft.	38½"	36¼"	41"
4Ft.	50½"	48¼"	53"
6Ft.	74½"	72¼"	77"
8Ft.	98½"	96¼"	101"

For overall lengths on continuous rows, add 2-1/2" to total lengths of all mounting centers. Ex. 4-8Ft. units in one row would be $98-1/2" + 98-1/2" + 98-1/2" + 98-1/2" + 2-1/2" = 396-1/2"$

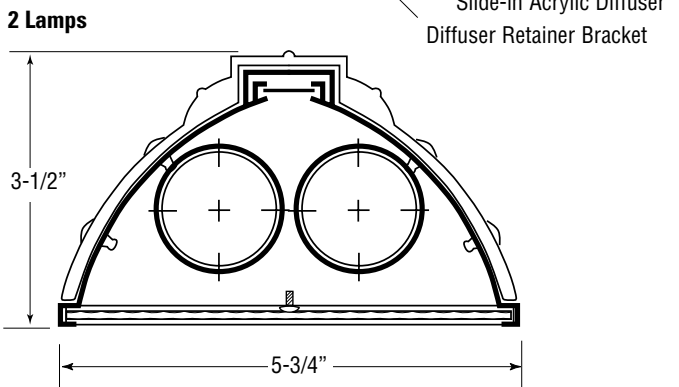
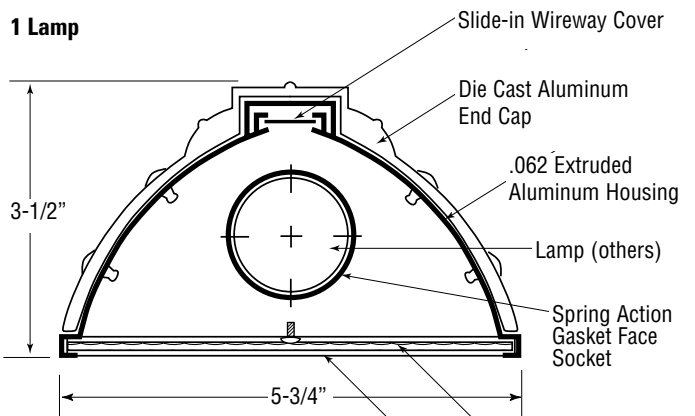
Coping Mounting



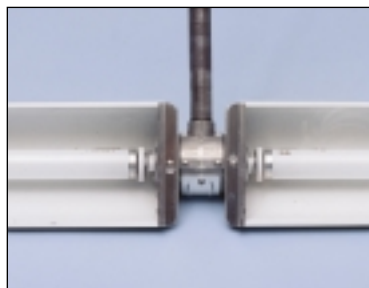
Sign Mounting



Cross Sections



Full Photometric Report Available on Request



End-To-End Mounting Detail.
(Conduit Not Supplied)



Optional Ballast Box With Standard Ballast Mounted.



Junction Box & Parts.



Weather Proof Ballast with Hanging Parts.



20 AUDREY PLACE, FAIRFIELD, NEW JERSEY 07004 □ 973-244-9444 □ FAX 973-244-9522