

MD SERIES

Linear T5 1-Lamp Fluorescent Staggered Narrow Channel Luminaire

Fixture Type: _____

Job Information: _____

SPECIFICATIONS:

- Narrow 3" wide linear T5 fluorescent open lamp luminaires uniquely designed with staggered lamps. When installed in continuous runs, three inches of overlapping lamps prevents dark spots usually appearing when standard type strips are used. The results are a highly pleasing appearance of unbroken light.
- Generally specified for direct or indirect cove and valence lighting. Used for all types of commercial, retail, and residential architectural details.
- One-lamp cross section, T5 or HO-T5 linear fluorescent.
- Length/Lamps: 2FT/14W-T5 or 24W-HO-T5; 3FT/21W-T5 or 39W-HO-T5; 4FT/28W-T5 or 54W-HO-T5; 5FT/35W-T5 or 80W-HO-T5; 6FT/21W-T5 or 39W-HO-T5 Tandem; 8FT/28W-T5 or 54W-HO-T5 Tandem.
- Ballasts: Full electronic, normal light output, high power factor. Programmed start and THD less than 10% most ballast/lamp combinations. Lutron or Advance dimming ballasts as specified. Most ballasts/lamp combinations standard with multi-volt, 120V-277V 50HZ-60HZ.
- Optional wiring: Single or dual circuit quick connect plug through wiring harnesses.
- Emergency battery back up: Integrated pack for 500, 825, or 1300 lumen output.
- Housings: Unitized housing from heavy gauge cold rolled steel. Welded ends and socket bars. Screw-down covers easily go in or out from tight spots. Easy install snap-in sockets for fast installation. Sufficient knockouts provided on fixture back and ends. Baked enamel finish provides minimum reflectivity of 87%.
- Sockets: 1/4 twist miniature bi-pin type.
- Optional shielding and directional reflectors: Asymmetric, symmetric, and direct-light designs. Custom shapes and materials available.
- UL listed 1598 with CUL approval and bears their label. Suitable for dry locations or optional damp locations with UL Damp Label. Union made and labeled.



MD SERIES Linear T5 1-Lamp Fluorescent Staggered Narrow Channel Luminaire

Fixture Type:

Job Information:

ORDERING DATA: Fill in boxes below with corresponding bold options.

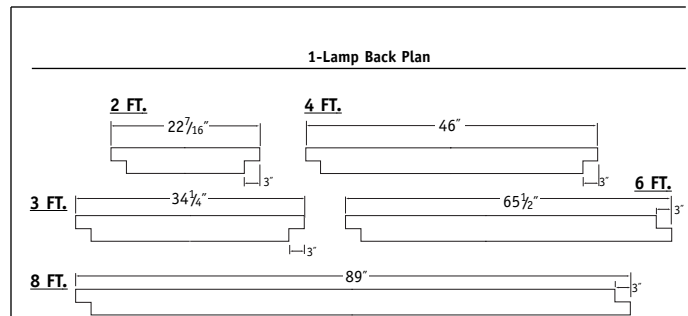
Example: MD-154-HO-T5/8T-ELB-UNI

Series	No. of Lamps Cross	Lamp Wattage/Ea./ Fixture Length/(Nom.)	Lamp Type	Tandem Housing/ Fixture Length\ (Nom.)	Ballast Type	Voltage	Misc.
MD Low Profile 1-Lamp T5 Staggered Strip	1 Lamp	14 14W-T5-2FT 21 21W-T5-3FT 28 28W-T5-4FT 35 35W-T5-5FT 24 24W-HO-T5-2FT 39 39W-HO-T5-3FT 54 54W-HO-T5-4FT 80 80W-HO-T5-5FT	T5 Linear T5 HO-T5 Linear High Output T5	All Nom. 2FT, 3FT, 4FT, 5FT Leave Blank /6T 72" Housing, 2-3FT Lamps in Tandem /8T 96" Housing, 2-4Ft Lamps in Tandem	ELB Electronic Programmed Start, <10%THD*, Up to 2-Lamps/Ballast * Most Ballast/Lamp Combinations. ELBD Electronic Dimming Lutron or Advance, Up to 2-Lamps/Ballast	UNI Universal Voltage, Multi-Volt, 120V- 277V, 50HZ-60HZ* * Most Ballast/Lamp Combinations. 120V 120V-60HZ 277V 277V-60HZ	EMPK/ISL28 ISL-28 or Equal 500 Lumens, One T5 Lamp EMPK/ISL54 ISL-54 or Equal 825 Lumens, One T5 or HO-T5 Lamp EMPK/ISL540 ISL-540 or Equal 1300 Lumens, One T5 or HO-T5 Lamp P1 Single Circuit Plug Thru P2 Dual Circuit Plug Thru TILW Tandem-in-Line Wiring GLR/Fusing GMF/Fusing

REFLECTORS (Order Separately)

Example: MDR-128/54-A (Use 2 Each For 6ft & 8ft Fixtures)

Series	No. of Lamps Cross	Lamp Wattage/Ea./ Reflector Length	Shape (Reflectors Only)
MDR White Steel MRC-MDR Enhanced Spec Alum 95% Reflectivity	1 MDR-1-Lamp Hsg	14/24 22-7/16"L (2FT) 21/39 34-1/4"L (3FT) 28/54 46"L (4FT) 35/80 57-7/8"L (5ft)	A Asymmetric S Symmetric D Direct-Light C Custom



DIMENSIONAL DATA/CROSS SECTIONS:

