



# ZENITH IV ZBDS SERIES

## 2X2 Center Drop Split Light Shield Ultra Shallow Indirect/Direct Luminaire

Fixture Type: \_\_\_\_\_

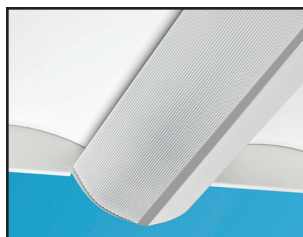
Job Information: \_\_\_\_\_  
 \_\_\_\_\_  
 \_\_\_\_\_

### SPECIFICATIONS:

- Ultra shallow recessed 2X2 fluorescent luminaire featuring a computer designed precision optical system that provides indirect/direct illumination. An optically correct double arched reflector enables precise indirect light distribution. A center mounted drop-down two-piece perforated split light shield provides the soft direct illumination.
- The system delivers comfortable illumination by filling the entire volume of space evenly. Broad angle illumination lights walls and vertical surfaces creating a more open and comfortable space.
- All components are recessed above the ceiling line except the drop-down split light shield, which protrudes down 1-7/8".
- Housings are die formed from 20GA cold rolled steel and fabricated in a computer-controlled operation. Spot-welds and rivets hold all parts together for strength and unity. Pry-out style grid supports are located on the sides.
- The indirect reflector, CAD designed to the optimum contour, is a two-piece system. One side is securely screwed into the housing with hidden hardware. The other side is held in place with quarter turn cam locks for easy ballast access.
- The center split light shields are die formed and fabricated from heavy gauge perforated steel and integrated with internal white Mylar panels. Each light shield is capable of swinging down for lamp access.
- A custom formulated non-glare white powder coating is applied to the reflector, light shields, and the housing after fabrication. Provides a reflectivity of at least 90%.
- Lamping options: Two-twin tube compact fluorescents; 40W-TT5, 50W-TT5, or 55W-TT5. Two 2Ft. linear T5 fluorescents; 14W-T5 or 24W-HO-T5.
- Ballasts: Full electronic, normal light output, high power factor. See ordering data for complete specifications. Multi-volt standard with most compact TT5 and linear T5 units. Dimming ballasts are voltage specific.
- Emergency battery back up: Integrated packs range from 450 up to 1125 lumen output. Varies with lamp type.
- Air return: Optional air return slots allow room air to be circulated back into plenum.
- A quick wiring access plate is located on back of the housing. Additional knockouts provided. Factory installed lamps and power whips as specified.
- Designed for installation into NEMA Type G lay-in acoustical grid ceiling systems, 1" grid or 9/16" fine-line grid. Optional fit available for screw slot grid. For NEMA Type F dry wall applications an additional flange kit must be used with Type G housing. Four pullout type security clips, located in the housing, lock over the ceiling grid work. Four auxiliary suspension points are also provided for securing to building structure.
- UL and CUL listed 1598 and bears their label. Suitable for dry locations or optional damp locations with UL Damp Label. Union made and labeled.



Shield Detail



Shield Detail



# ZBDS SERIES 2X2 Center Drop Split Light Shield Ultra Shallow Indirect/Direct Luminaire

Fixture Type:

Job Information:

**ORDERING DATA:** Fill in boxes below with corresponding bold options.

Example: ZBDS-22S-240-BIAX-ELB-UNI-EMPK/I32-FLX

| Series                                                                                                                                 | Module Size/Ceiling                                                                                                                                       | No. of Lamps/Wattage Ea. Lamp                                                                                                                                              | Lamp Type                                                                                               | Ballast Type                                                                                                                                                                                                                                                                                                                                                                                                                                                     | Voltage                                                                                                                                                                                                                                                                                                                                     | Misc.                                                                                                                                                                                                                                                                                                                                                                                                                                                                                                                                                                                                                                      |
|----------------------------------------------------------------------------------------------------------------------------------------|-----------------------------------------------------------------------------------------------------------------------------------------------------------|----------------------------------------------------------------------------------------------------------------------------------------------------------------------------|---------------------------------------------------------------------------------------------------------|------------------------------------------------------------------------------------------------------------------------------------------------------------------------------------------------------------------------------------------------------------------------------------------------------------------------------------------------------------------------------------------------------------------------------------------------------------------|---------------------------------------------------------------------------------------------------------------------------------------------------------------------------------------------------------------------------------------------------------------------------------------------------------------------------------------------|--------------------------------------------------------------------------------------------------------------------------------------------------------------------------------------------------------------------------------------------------------------------------------------------------------------------------------------------------------------------------------------------------------------------------------------------------------------------------------------------------------------------------------------------------------------------------------------------------------------------------------------------|
| <b>ZBDS</b><br>Zenith IV Center Drop Split Light Shield/Ultra Shallow                                                                  | <b>22G</b><br>2X2 Module/NEMA Type G/Lay-in Grid, 1" or 9/16" Fine Line.<br><b>22S</b><br>2X2 Module/NEMA Type G/Lay-in Grid, 9/16" Screw-Slot/Bolt-Slot. | <b>240</b><br>2-40W-TT5 Compact<br><b>250</b><br>2-50W-TT5 Compact<br><b>255</b><br>2-55W-TT5 Compact<br><b>214</b><br>2-14W-T5 Linear<br><b>224</b><br>2-24W-HO-T5 Linear | <b>BIAX</b><br>Twin Tube Compact TT5<br><b>T5</b><br>Linear T5<br><b>HO-T5</b><br>Linear High Output T5 | <b>ELB</b><br>TT5 Electronic Instant Start. Up to 2-Lamps/Ballast.<br><b>ELBS</b><br>TT5 Electronic Rapid Start <10%THD. (Most Ballast/Lamp Combinations.) Up to 2-Lamps/Ballast.<br><b>ELB</b><br>T5 Electronic Programmed Start <10%THD. (Most Ballast/Lamp Combinations.) Up to 2-Lamps/Ballast.<br><b>ELBD</b><br>T5 or TT5 Electronic Dimming, Lutron or Advance as Specified. Dedicated Voltage Only.<br><b>ELB-</b><br>T5 or TT5 Electronic As Specified. | <b>UNI</b><br>TT5 Universal Voltage, Multi-Volt 120V-277V, 50HZ-60HZ, <10%THD. (Most Ballast/Lamp Combinations.)<br><b>UNI</b><br>T5 Universal Voltage, Multi-Volt 120V-277V, 50HZ-60HZ, <10%THD. (Most Ballast/Lamp Combinations.)<br><b>120V</b><br>TT5 or T5 120V-60HZ. All Dimming.<br><b>277V</b><br>TT5 or T5 277V-60HZ. All Dimming. | <b>EMPK/I32</b><br>I-32 or Equal 450 Lumens. One 40W-TT5 Lamp.<br><b>EMPK/I48</b><br>I-48 or Equal 650 Lumens. One 40W-TT5, 50W-TT5, or 55W-TT5 Lamp.<br><b>EMPK/I320</b><br>I-320 or Equal 1125 Lumens. One 40W-TT5, 50W-TT5, or 55W-TT5 Lamp. One 14W-T5 or 24W-HO-T5 Lamp.<br><b>EMPK/ISL28</b><br>ISL-28 or Equal 500 Lumens. One 14W-T5 or 24W-HO-T5 Lamp.<br><b>FLX</b><br>6Ft. Single Circuit Power Flex. (Specify Voltage.)<br><b>FLX2</b><br>6Ft. 2-Circuit Power Flex. (Specify Voltage.)<br><b>2B</b><br>2-Ballasts, 2-Circuits.<br><b>DL</b><br>UL Damp Label.<br><b>L</b><br>Factory Lamps Installed, Specify Color. Ex: L741 |
| <b>FK-22</b><br>2X2 Flange Kit/ For NEMA Type F Applications. Order Separately. For Dry Wall Installations. Use with "G" Type Fixture. |                                                                                                                                                           |                                                                                                                                                                            |                                                                                                         |                                                                                                                                                                                                                                                                                                                                                                                                                                                                  |                                                                                                                                                                                                                                                                                                                                             |                                                                                                                                                                                                                                                                                                                                                                                                                                                                                                                                                                                                                                            |

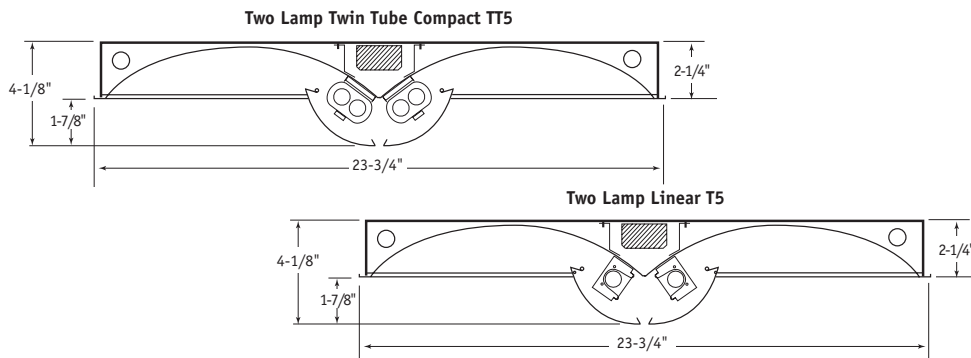
## PHOTOMETRICS:

### ZBDS-22G-240-BIAX-ELB-UNI

| ZONAL CAVITY COEFFICIENTS OF UTILIZATION |     |     |     |     |     |     |     |     |     |     | CANDLEPOWER DISTRIBUTION |     |     |     |     |     |     |     |     |     |     |     |     |     |
|------------------------------------------|-----|-----|-----|-----|-----|-----|-----|-----|-----|-----|--------------------------|-----|-----|-----|-----|-----|-----|-----|-----|-----|-----|-----|-----|-----|
| EFFECTIVE FLOOR CAVITY REFLECTANCE=0.20  |     |     |     |     |     |     |     |     |     |     |                          |     |     |     |     |     |     |     |     |     |     |     |     |     |
| CEILING                                  | 80  |     |     | 70  |     |     | 50  |     |     | 30  |                          |     | 10  |     |     | 0   |     |     | 180 | 165 | 150 | 135 | 120 | 105 |
| WALL                                     | 70  | 50  | 30  | 10  | 70  | 50  | 30  | 10  | 50  | 30  | 10                       | 50  | 30  | 10  | 50  | 30  | 10  | 0   | 0   | 0   | 0   | 0   | 0   |     |
| RCR                                      | 0   | .74 | .74 | .74 | .74 | .72 | .72 | .72 | .72 | .69 | .69                      | .69 | .66 | .66 | .66 | .63 | .63 | .63 | .62 |     |     |     |     |     |
| 1                                        | .67 | .63 | .60 | .58 | .65 | .62 | .59 | .57 | .59 | .57 | .55                      | .53 | .54 | .53 | .51 | .50 |     |     |     |     |     |     |     |     |
| 2                                        | .60 | .55 | .50 | .46 | .59 | .53 | .49 | .46 | .51 | .47 | .44                      | .49 | .46 | .43 | .47 | .44 | .42 | .41 |     |     |     |     |     |     |
| 3                                        | .55 | .48 | .43 | .38 | .53 | .47 | .42 | .38 | .45 | .41 | .37                      | .43 | .39 | .36 | .41 | .38 | .36 | .34 |     |     |     |     |     |     |
| 4                                        | .50 | .42 | .37 | .32 | .49 | .41 | .36 | .32 | .40 | .35 | .31                      | .38 | .34 | .31 | .37 | .33 | .30 | .29 |     |     |     |     |     |     |
| 5                                        | .46 | .37 | .31 | .27 | .44 | .36 | .31 | .27 | .35 | .30 | .26                      | .34 | .29 | .26 | .32 | .29 | .26 | .24 |     |     |     |     |     |     |
| 6                                        | .42 | .33 | .27 | .23 | .41 | .32 | .27 | .23 | .31 | .26 | .23                      | .30 | .26 | .22 | .29 | .25 | .22 | .21 |     |     |     |     |     |     |
| 7                                        | .39 | .30 | .24 | .20 | .37 | .29 | .24 | .20 | .28 | .23 | .20                      | .27 | .23 | .19 | .26 | .22 | .19 | .18 |     |     |     |     |     |     |
| 8                                        | .35 | .27 | .21 | .17 | .34 | .26 | .21 | .17 | .25 | .20 | .17                      | .24 | .20 | .17 | .24 | .20 | .17 | .15 |     |     |     |     |     |     |
| 9                                        | .33 | .24 | .18 | .15 | .32 | .23 | .18 | .15 | .23 | .18 | .15                      | .22 | .18 | .14 | .21 | .17 | .14 | .13 |     |     |     |     |     |     |
| 10                                       | .30 | .22 | .16 | .13 | .30 | .21 | .16 | .13 | .21 | .16 | .13                      | .20 | .16 | .13 | .19 | .15 | .13 | .12 |     |     |     |     |     |     |

Other reports available upon request.

## CROSS SECTIONS:



## CEILING DETAIL:

