



ZENITH IV ZBDS SERIES

2X4 Center Drop Split Light Shield Ultra Shallow Indirect/Direct Luminaire

Fixture Type: _____

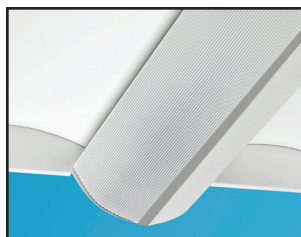
Job Information: _____

SPECIFICATIONS:

- Ultra shallow recessed 2X4 fluorescent luminaire featuring a computer designed precision optical system that provides indirect/direct illumination. An optically correct double arched reflector enables precise indirect light distribution. A center mounted drop-down two-piece perforated split light shield provides the soft direct illumination.
- The system delivers comfortable illumination by filling the entire volume of space evenly. Broad angle illumination lights walls and vertical surfaces creating a more open and comfortable space.
- All components are recessed above the ceiling line except the drop-down split light shield, which protrudes down 1-7/8".
- Housings are die formed from 20GA cold rolled steel and fabricated in a computer-controlled operation. Spot-welds and rivets hold all parts together for strength and unity. Pry-out style grid supports are located on the sides.
- The indirect reflector, CAD designed to the optimum contour, is a two-piece system. One side is securely screwed into the housing with hidden hardware. The other side is held in place with quarter turn cam locks for easy ballast access.
- The center split light shields are die formed and fabricated from heavy gauge perforated steel and integrated with internal white Mylar panels. Each light shield is capable of swinging down for lamp access.
- A custom formulated non-glare white powder coating is applied to the reflector, light shields, and the housing after fabrication. Provides a reflectivity of at least 90%.
- Lamping options: Four 2Ft. twin tube compact fluorescents; 40W-TT5, 50W-TT5, or 55W-TT5, end-on-end down the center. Two 4Ft. linear T5 fluorescents; 28W-T5 or 54W-HO-T5.
- Ballasts: Full electronic, normal light output, high power factor. See ordering data for complete specifications. Multi-volt standard with most compact TT5 and linear T5 units. Dimming ballasts are voltage specific.
- Emergency battery back up: Integrated packs range from 450 up to 1150 lumen output. Varies with lamp type.
- Air return: Optional air return slots allow room air to be circulated back into plenum.
- A quick wiring access plate is located on back of the housing. Additional knockouts provided. Factory installed lamps and power whips as specified.
- Designed for installation into NEMA Type G lay-in acoustical grid ceiling systems, 1" grid or 9/16" fine-line grid. Optional fit available for screw slot grid. For NEMA Type F dry wall applications an additional flange kit must be used with Type G housing. Four pullout type security clips, located in the housing, lock over the ceiling grid work. Four auxiliary suspension points are also provided for securing to building structure.
- UL and CUL listed 1598 and bears their label. Suitable for dry locations or optional damp locations with UL Damp Label. Union made and labeled.



Shield Detail



Shield Detail



ZBDS SERIES 2X4 Center Drop Split Light Shield Ultra Shallow Indirect/Direct Luminaire

Fixture Type:

Job Information:

ORDERING DATA: Fill in boxes below with corresponding bold options.

Example: ZBDS-24G-440-BIAX-ELB-UNI-EMPK/I32-FLX-LP835

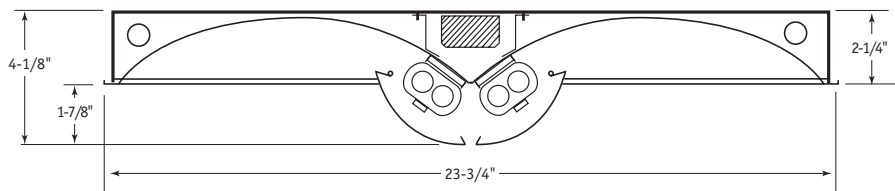
Series	Module Size/Ceiling	No. of Lamps/ Wattage Ea. Lamp	Lamp Type	Ballast Type	Voltage	Misc.
ZBDS Zenith IV Center Drop Split Light Shield/Ultra Shallow	24G 2X4 Module/NEMA Type G/Lay-in Grid, 1" or 9/16" Fine Line.	440 4-40W-TT5 Compact	BIAX Twin Tube Compact TT5	ELB TT5 Electronic Instant Start. Up to 2-Lamps/Ballast.	UNI TT5 Universal Voltage, Multi-Volt 120V-277V, 50HZ-60HZ. <10%THD. (Most Ballast/ Lamp Combinations.)	EMPK/I32 I-32 or Equal 450 Lumens. One 40W-TT5 Lamp.
	24S 2X4 Module/NEMA Type G/Lay-in Grid, 9/16" Screw-Slot/ Bolt-Slot.	450 4-50W-TT5 Compact				
FK-24 2X4 Flange Kit/ For NEMA Type F Applications. Order Separately. For Dry Wall Installations. Use with "G" Type Fixture.		455 4-55W-TT5 Compact	T5 Linear T5	ELBS TT5 Electronic Rapid Start <10%THD. (Most Ballast/ Lamp Combinations.) Up to 2-Lamps/Ballast.	UNI T5 Universal Voltage, Multi-Volt 120V-277V, 50HZ-60HZ. <10%THD. (Most Ballast/ Lamp Combinations.)	EMPK/I48 I-48 or Equal 650 Lumens. One 40W-TT5, 50W-TT5, or 55W-TT5 Lamp.
		228 2-28W-T5 Linear	H0-T5 Linear High Output T5	ELB T5 Electronic Programmed Start <10%THD. (Most Ballast/ Lamp Combinations.) Up to 2-Lamps/28W Ballast. Up to 3-Lamps/54W-H0 Ballast.		
		254 2-54W-H0-T5 Linear		ELBD T5 or TT5 Electronic Dimming, Lutron or Advance as Specified. Dedicated Voltage Only.		
				ELB-__ T5 or TT5 Electronic As Specified.		
				120V TT5 or T5 120V-60HZ. All Dimming.	EMPK/I320 I-320 or Equal 1150 Lumens. One 40W-TT5, 50W-TT5, or 55W-TT5 Lamp. One 28W-T5 or 54W-H0-T5 Lamp.	
				277V TT5 or T5 277V-60HZ. All Dimming.		
					EMPK/ISL28 ISL-28 or Equal 500 Lumens. One 28W-T5 Lamp.	
					EMPK/ISL54 ISL-54 or Equal 825 Lumens. One 54W-H0-T5 Lamp.	
					FLX 6Ft. Single Circuit Power Flex. (Specify Voltage.)	
					FLX2 6Ft. 2-Circuit Power Flex. (Specify Voltage.)	
					2B 2-Ballasts, 2-Circuits.	
					DL UL Damp Label.	
					L Factory Lamps Installed, Specify Color. Ex: L741	

PHOTOMETRICS:

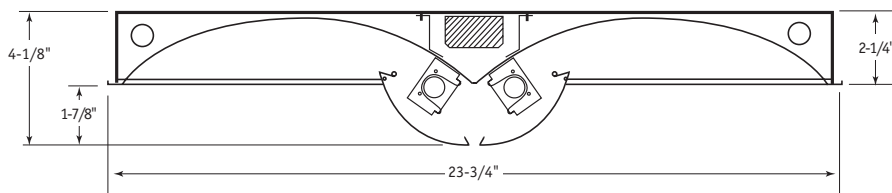
Photometric reports available upon request.

CROSS SECTIONS:

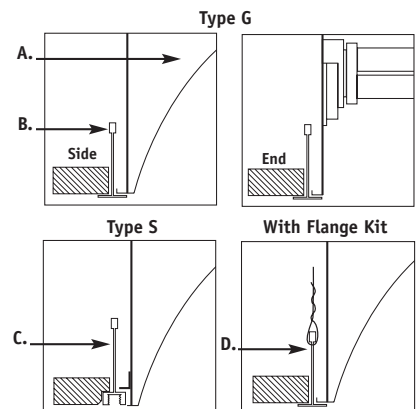
Four Lamp 2Ft. Twin Tube Compact TT5



Two Lamp 4Ft. Linear T5



CEILING DETAIL:



- A. Housing
- B. Type G Grid
- C. Type S Grid
- D. Flange Kit

Use Type G Fixture
Cut Out: 24-3/16" x 48-3/8"

