

# ZENITH VIII ZBD SERIES

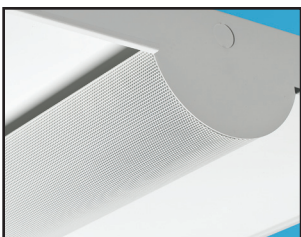
## 2X2 Center Drop Light Shield Ultra Shallow Indirect/Direct Luminaire

Fixture Type: \_\_\_\_\_

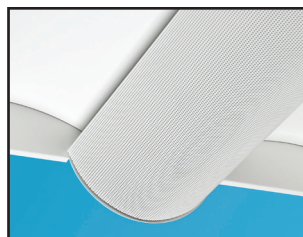
Job Information: \_\_\_\_\_  
 \_\_\_\_\_  
 \_\_\_\_\_

### SPECIFICATIONS:

- Ultra shallow recessed 2X2 fluorescent luminaire featuring a computer designed precision optical system that provides indirect/direct illumination. An optically correct double arched reflector enables precise indirect light distribution. A center mounted drop-down perforated light shield provides the soft direct illumination.
- The system delivers comfortable illumination by filling the entire volume of space evenly. Broad angle illumination lights walls and vertical surfaces creating a more open and comfortable space.
- All components are recessed above the ceiling line except the drop-down light shield, which protrudes down 1-7/8".
- Housing: Die formed from 20GA cold rolled steel and fabricated in a computer-controlled operation. Spot-welds and rivets hold all parts together for strength and unity. Pry-out style grid support clips are located on the sides.
- Indirect reflector: Two-piece system is CAD designed to the optimum contour. One side is securely screwed into the housing with hidden hardware. The other side is held in place with quarter turn cam locks for easy ballast access.
- Center light shield: Die formed and fabricated from heavy gauge perforated steel and integrated with an internal white Mylar panel. Light shield is capable of swinging down for lamp access.
- Finish: A custom formulated non-glare white powder coating is applied to the reflector, light shield, and the housing after fabrication. Provides a reflectivity of at least 90%.
- T5 Lamps: Two 2Ft. linear fluorescent lamps; 14W-T5 or 24W-HO-T5.
- TT5 Lamps: Two twin-tube compact fluorescent lamps; 40W-TT5, 50W-TT5, or 55W-TT5.
- Ballasts T5: Electronic programmed start, normal light output, high power factor, THD less than 10%. Up to 2-lamps per 14W-T5 or 24W-HO-T5 ballast.
- Ballasts 40W-TT5: Electronic instant start, normal light output, high power factor, THD less than 10%. Up to 2-lamps per ballast. Optional performances: rapid start circuit.
- Ballasts 50W and 55W-TT5: Electronic programmed start, normal light output, high power factor, THD less than 10%. Up to 2-lamps per ballast.
- Voltage: Multi-volt operates a range from 120V-277V, 50HZ-60HZ. Dedicated voltages on request.
- Dimming: Lutron or Advance dimming ballasts as specified.
- Emergency battery backup: Integrated packs range from 450 up to 1125 lumen output. Varies with lamp type.
- Installations: Designed for installation into NEMA Type G lay-in acoustical grid ceiling systems, 1" grid or 9/16" fine-line grid. Optional fit available for screw slot grid. For NEMA Type F dry wall applications an additional flange kit must be used with Type G housing. Four pullout type security clips, located in the housing, lock over the ceiling grid work. Four auxiliary suspension points are also provided for securing to building structure.
- Electrical: A quick wiring access plate is located on back of the housing. Additional knockouts provided. Factory installed lamps and power whips as specified.
- UL and CUL listed 1598 and bears their label. Suitable for dry locations or optional damp locations with UL Damp Label. Union made and labeled.



Shield Detail



Shield Detail



# ZBD SERIES 2X2 Center Drop Light Shield Ultra Shallow Indirect/Direct Luminaire

Fixture Type: \_\_\_\_\_

Job Information: \_\_\_\_\_

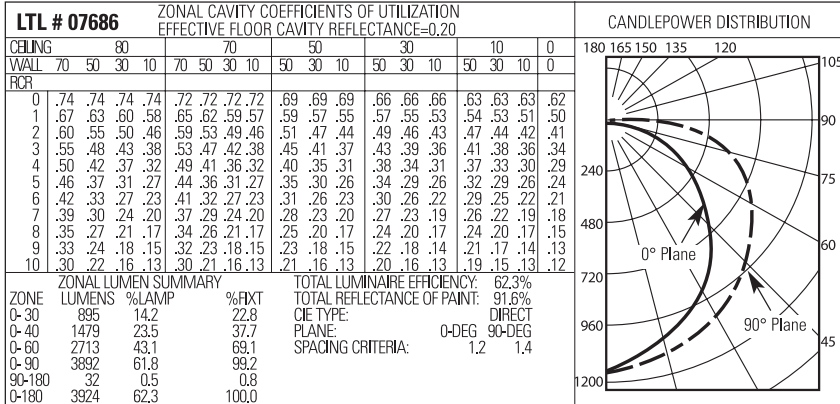
**ORDERING DATA:** Fill in boxes below with corresponding bold options.

Example: ZBD-22S-240-BIAX-ELB-UNI-EMPK/I32-FLX

Series	Module Size/Ceiling	No. of Lamps/Wattage Ea. Lamp	Lamp Type	Ballast Type	Voltage	Misc.
<b>ZBD</b> Zenith VIII Center Drop Light Shield/ Ultra Shallow	<b>22G</b> 2X2 Module/NEMA Type G/Lay-in Grid, 1" or 9/16" Fine Line.  <b>22S</b> 2X2 Module/NEMA Type G/Lay-in Grid, 9/16" Screw-Slot/ Bolt-Slot.	<b>240</b> 2-40W-TT5 Compact  <b>250</b> 2-50W-TT5 Compact  <b>255</b> 2-55W-TT5 Compact  <b>214</b> 2-14W-T5 Linear  <b>224</b> 2-24W-HO-T5 Linear	<b>BIAX</b> Twin Tube Compact TT5  <b>T5</b> Linear T5  <b>HO-T5</b> Linear High Output T5	<b>ELB</b> 40W-TT5 Electronic Instant Start. Up to 2-Lamps/Ballast.  <b>ELBS</b> 40W-TT5 Electronic Rapid Start. Up to 2-Lamps/Ballast.  <b>ELB</b> 50W or 55W-TT5 Electronic Programmed Start. Up to 2-Lamps/Ballast.  <b>ELB</b> T5 or HO-T5 Electronic Programmed Start. Up to 2-Lamps/14W or 24W-HO Ballast.	<b>UNI</b> Universal Voltage, Multi-Volt 120V-277V, 50HZ-60HZ.  <b>120V</b> Dedicated Voltage 120V-60HZ.  <b>277V</b> Dedicated Voltage 277V-60HZ.	<b>EMPK/I32</b> I-32 or Equal 450 Lumens. One 40W-TT5 Lamp.  <b>EMPK/I48</b> I-48 or Equal 650 Lumens. One 40W-TT5, 50W-TT5, or 55W-TT5 Lamp.  <b>EMPK/I320</b> I-320 or Equal 1125 Lumens. One 40W-TT5, 50W-TT5, or 55W-TT5 Lamp. One 14W-T5 or 24W-HO-T5 Lamp.  <b>EMPK/ISL28</b> ISL-28 or Equal 500 Lumens. One 14W-T5 or 24W-HO-T5 Lamp.  <b>FLX</b> 6Ft. Single Circuit Power Flex. (Specify Voltage.)  <b>FLX2</b> 6Ft. 2-Circuit Power Flex. (Specify Voltage.)  <b>2B</b> 2-Ballasts, 2-Circuits.  <b>DL</b> UL Lamp Label.  <b>L</b> Factory Lamps Installed, Specify Color. Ex: L741
<b>FK-22</b> 2X2 Flange Kit/ For NEMA Type F Applications. Order Separately. For Dry Wall Installations. Use with "G" Type Fixture.						

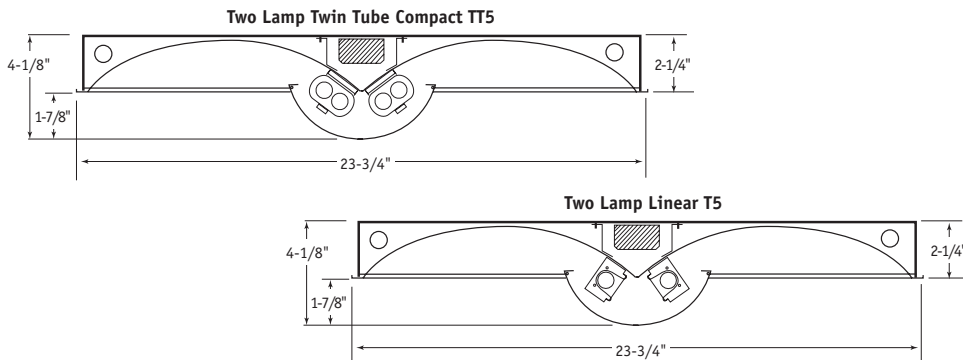
## PHOTOMETRICS:

ZBD-22G-240-BIAX-ELB-UNI



Other reports available upon request.

## CROSS SECTIONS:



## CEILING DETAIL:

