



ZENITH V ZV SERIES

2X2 Center Light Shield Ultra Shallow Indirect/Direct Luminaire

Fixture Type: _____

Job Information: _____

SPECIFICATIONS:

- Ultra shallow recessed 2X2 fluorescent luminaire featuring a computer designed precision optical system that provides indirect/direct illumination. An optically correct double arched reflector enables precise indirect light distribution, while a center located perforated light shield provides the soft direct illumination.
- The system delivers comfortable illumination by filling the entire volume of space evenly. Broad angle illumination lights walls and vertical surfaces creating a more open and comfortable space.
- All components are recessed above the ceiling line. Install in ceilings as low as eight feet. Engineered for shallow plenums.
- Housings are die formed from 20GA cold rolled steel and fabricated in a computer-controlled operation. Spot-welds and rivets hold all parts together for strength and unity. Pry-out style grid supports are located on the sides.
- The indirect reflector, CAD designed to the optimum contour, is a two-piece system. One side is securely screwed into the housing with hidden hardware. The other side is held in place with quarter turn cam locks for easy ballast access.
- The center light shield is die formed and fabricated from heavy gauge perforated steel and integrated with an internal white Mylar panel. Light shield is capable of swinging down for lamp access.
- A custom formulated non-glare white powder coating is applied to the reflector, light shield, and the housing after fabrication. Provides a reflectivity of at least 90%.
- Lamping options: Two-twin tube compact fluorescents; 40W-TT5, 50W-TT5, or 55W-TT5. Two or three 2Ft. linear T5 fluorescents; 14W-T5 or 24W-HO-T5.
- Ballasts: Full electronic, normal light output, high power factor. See ordering data for complete specifications. Multi-volt standard with most compact TT5 and linear T5 units. Dimming ballasts are voltage specific.
- Emergency battery back up: Integrated packs range from 450 up to 1125 lumen output. Varies with lamp type.
- A quick wiring access plate is located on back of the housing. Additional knockouts provided. Factory installed lamps and power whips as specified.
- Designed for installation into NEMA Type G lay-in acoustical grid ceiling systems, 1" grid or 9/16" fine-line grid. Optional fit available for screw slot grid. For NEMA Type F dry wall applications an additional flange kit must be used with Type G housing. Four pullout type security clips, located in the housing, lock over the ceiling grid work. Four auxiliary suspension points are also provided for securing to building structure.
- UL and CUL listed 1598 and bears their label. Suitable for dry locations or optional damp locations with UL Damp Label. Union made and labeled.



Shield Detail



Shield Detail



ZV SERIES 2X2 Center Light Shield Ultra Shallow Indirect/Direct Luminaire

Fixture Type:

Job Information:

ORDERING DATA: Fill in boxes below with corresponding bold options.

Example: ZV-22S-240-BIAX-ELB-UNI-EMPK/I32-FLX

Series	Module Size/Ceiling	No. of Lamps/ Wattage Ea. Lamp	Lamp Type	Ballast Type	Voltage	Misc.
ZV Zenith V Ultra Shallow Center Shield	22G 2X2 Module/NEMA Type G/Lay-in Grid, 1" or 9/16" Fine Line. 22S 2X2 Module/ NEMA Type G/ Lay-in Grid, 9/16" Screw-Slot/ Bolt-Slot.	240 2-40W-TT5 Compact 250 2-50W-TT5 Compact 255 2-55W-TT5 Compact 214 2-14W-T5 Linear. 224 2-24W-HO-T5 Linear 314 3-14W-T5 Linear 324 3-24W-HO-T5 Linear	BIAX Twin Tube Compact TT5 T5 Linear T5 HO-T5 Linear High Output T5	ELB TT5 Electronic Instant Start. Up to 2-Lamps/Ballast. ELBS TT5 Electronic Rapid Start <10%THD. (Most Ballast/ LampCombinations.) Up to 2-Lamps/Ballast. ELB T5 Electronic Programmed Start <10%THD. (Most Ballast/Lamp Combinations.) Up to 2-Lamps/Ballast. ELBD T5 or TT5 Electronic Dimming, Lutron or Advance as Specified. Dedicated Voltage Only. ELB- T5 or TT5 Electronic As Specified.	UNI TT5 Universal Voltage, Multi-Volt 120V-277V, 50HZ-60HZ. <10%THD. (Most Ballast/Lamp Combinations.) UNI T5 Universal Voltage, Multi-Volt 120V-277V, 50HZ-60HZ. <10%THD. (Most Ballast/Lamp Combinations.) 120V TT5 or T5 120V-60HZ. All Dimming. 277V TT5 or T5 277V-60HZ. All Dimming.	EMPK/I32 I-32 or Equal 450 Lumens. One 40W-TT5 Lamp. EMPK/I48 I-48 or Equal 650 Lumens. One 40W-TT5, 50W-TT5, or 55W-TT5 Lamp. EMPK/I320 I-320 or Equal 1125 Lumens. One 40W-TT5, 50W-TT5, or 55W-TT5 Lamp. One 14W-T5 or 24W-HO-T5 Lamp. EMPK/ISL28 ISL-28 or Equal 500 Lumens. One 14W-T5 or 24W-HO-T5 Lamp. FLX 6Ft. Single Circuit Power Flex. (Specify Voltage.) FLX2 6Ft. 2-Circuit Power Flex. (Specify Voltage). 2B 2-Ballasts, 2-Circuits. DL UL Damp Label. L Factory Lamps Installed, Specify Color. Ex: L741

PHOTOMETRICS:

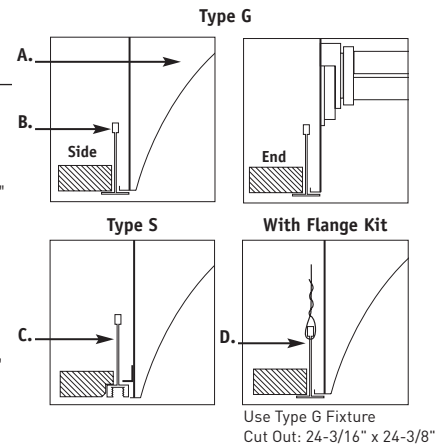
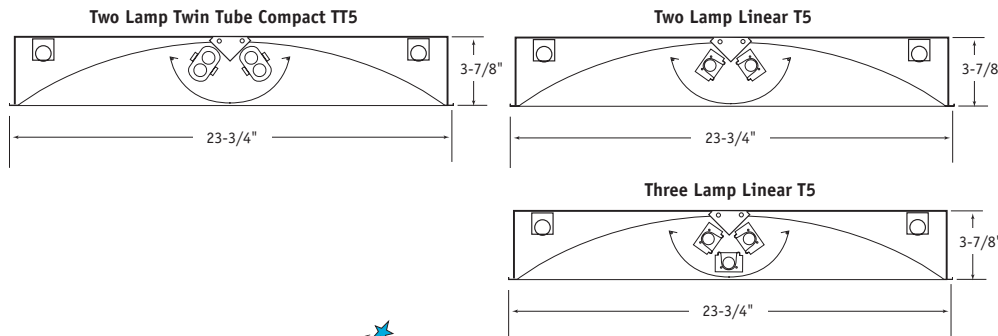
ZV-22G-240-BIAX-ELB-120V

ZONAL CAVITY COEFFICIENTS OF UTILIZATION EFFECTIVE FLOOR CAVITY REFLECTANCE=0.20																		
LTL # 05578	CANDLEPOWER DISTRIBUTION																	
CEILING	80			70			50			10			0					
WALL	.70	.50	.30	.10	.70	.50	.30	.10	.50	.30	.10	.50	.30	.10	0			
FCR																		
0	.72	.72	.72	.72	.71	.71	.71	.71	.67	.67	.67	.65	.65	.65	.62	.62	.62	.61
1	.66	.64	.61	.59	.65	.62	.60	.58	.60	.58	.56	.57	.56	.54	.55	.54	.53	.52
2	.61	.56	.52	.48	.59	.55	.51	.48	.52	.49	.47	.51	.48	.46	.49	.47	.45	.43
3	.55	.49	.44	.42	.54	.48	.44	.40	.46	.43	.40	.45	.42	.39	.43	.41	.38	.37
4	.51	.44	.38	.34	.49	.43	.38	.34	.41	.37	.34	.40	.36	.33	.39	.35	.33	.31
5	.46	.38	.33	.29	.45	.38	.33	.29	.36	.32	.28	.35	.31	.28	.34	.31	.28	.27
6	.42	.34	.29	.25	.41	.34	.29	.25	.33	.28	.25	.32	.27	.24	.31	.27	.24	.23
7	.39	.31	.25	.22	.38	.30	.25	.21	.29	.25	.21	.28	.24	.21	.28	.24	.21	.20
8	.36	.27	.22	.19	.35	.27	.22	.18	.26	.22	.18	.25	.21	.18	.25	.21	.18	.17
9	.33	.25	.19	.16	.32	.24	.19	.16	.23	.19	.16	.23	.19	.16	.22	.18	.16	.14
10	.31	.22	.17	.14	.30	.22	.17	.14	.21	.17	.14	.21	.17	.14	.20	.16	.14	.13
ZONAL LUMEN SUMMARY																		
ZONE	LUMENS	%LAMP	%FXT	TOTAL LUMINAIRE EFFICIENCY: 60.7%														
0-30	986	15.6	25.8	TOTAL REFLECTANCE OF PAINT: 90.0%														
0-40	1630	25.9	42.6	CIE TYPE: DIRECT														
0-60	2966	47.1	77.6	PLANE: 0-DEG 90-DEG														
0-90	3823	60.7	100.0	SPACING CRITERIA: 1.2 1.4														
90-180	0	0.0	0.0	LUMINOUS LENGTH: 23.000 22.375														
0-180	3823	60.7	100.0															

Other reports available upon request.

CEILING DETAIL:

CROSS SECTIONS:



- A. Housing
- B. Type G Grid
- C. Type S Grid
- D. Flange Kit

