

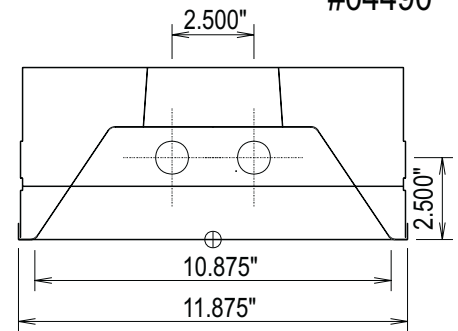


LTL NUMBER: 04490 DATE: 4-19-1999
PREPARED FOR: MERCURY LIGHTING PRODUCTS COMPANY INC.
CATALOG NUMBER: MME-232-OCT-ELB-120V
LUMINAIRE: FORMED STEEL HOUSING, FORMED WHITE ENAMEL STEEL REFLECTOR, NO ENCLOSURE.
LAMPS: TWO PHILIPS F32T8/TL841 RATED AT 2850 LUMENS EACH.
BALLAST: ONE ADVANCE REL-2P32-SC
MOUNTING: SURFACE

LUMEN TO CANDELA RATIO USED = 9.18
TOTAL INPUT WATTS = 57.7 AT 120.0 VOLTS
THE 0 DEGREE PLANE IS PARALLEL WITH THE LAMPS.

#04490

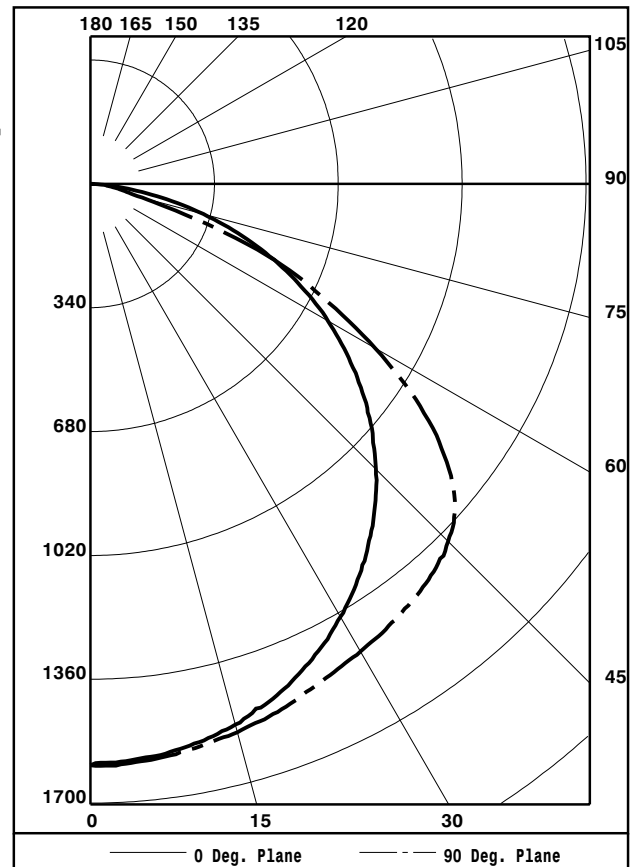
Table with 6 columns: CANDELA DISTRIBUTION (0.0, 22.5, 45.0, 67.5, 90.0), FLUX (151, 437, 679, 858, 959, 926, 690, 296, 48), and rows for various angles (0, 5, 15, 25, 35, 45, 55, 65, 75, 85, 90).



ZONAL LUMEN SUMMARY table with columns: ZONE, LUMENS, %LAMP, %FIXT. Rows include zones like 0-30, 0-40, 0-60, 0-90, 90-180, and 0-180.

TOTAL LUMINAIRE EFFICIENCY: 88.5%
TOTAL REFLECTANCE OF PAINT: 87.2%
CIE TYPE: DIRECT
PLANE: 0-DEG 90-DEG
SPACING CRITERIA: 1.3 1.4
LUMINOUS LENGTH: 47.125 10.875

LUMINANCE IN CANDELA PER SQUARE METER table with columns: ANGLE IN DEG, AVERAGE 0-DEG, AVERAGE 45-DEG, AVERAGE 90-DEG. Rows for angles 0, 45, 55, 65, 75, 85.



TESTED BY HERSCHEL SCHRECK
CHECKED BY MIKE GRATHER



LTL NUMBER: 04490

DATE: 4-19-1999

PREPARED FOR: MERCURY LIGHTING PRODUCTS COMPANY INC.

COEFFICIENTS OF UTILIZATION - ZONAL CAVITY METHOD
EFFECTIVE FLOOR CAVITY REFLECTANCE 0.20

Table with 17 columns (RC, RW, 80, 70, 50, 30, 10, 0) and 11 rows of utilization coefficients.

CANDELA DISTRIBUTION

Table with 6 columns of candela values for various angles from 0 to 90 degrees.

ZONAL LUMEN SUMMARY

Table with 3 columns of zonal lumen values for various height zones from 0-5 to 85-90.

THIS TEST WAS CONDUCTED USING RELATIVE PHOTOMETRY TECHNIQUES ACCORDING TO STANDARD IESNA PROCEDURES. THE USER MUST THEREFORE USE CAUTION IN THE FOLLOWING SITUATIONS: 1) THIS TEST WAS PERFORMED USING A SPECIFIC BALLAST/LAMP COMBINATION. EXTRAPOLATION OF THESE DATA FOR OTHER BALLAST/LAMP COMBINATIONS MAY PRODUCE ERRONEOUS RESULTS. 2) ACCORDING TO IESNA PROCEDURES, THE BALLAST(S) AND LAMP(S) ARE PRESUMED TO PRODUCE 100% OF RATED OUTPUT. AN APPROPRIATE BALLAST FACTOR MUST BE APPLIED TO THE LUMEN OUTPUT RATINGS AND LUMINOUS INTENSITY VALUES GIVEN. 3) THIS TEST WAS CONDUCTED IN A CONTROLLED LABORATORY ENVIRONMENT WHERE THE AMBIENT TEMPERATURE WAS HELD AT 25°C ±1°C. FIELD PERFORMANCE MAY DIFFER PARTICULARLY IN REGARDS TO CHANGE IN LUMINOUS OUTPUT AS A RESULT OF DIFFERENCE IN AMBIENT TEMPERATURE AND METHOD OF MOUNTING THE LUMINAIRE.



LUMINAIRE TESTING LABORATORY, INC.



905 Harrison Street · Allentown, PA 18103 · (610) 770-1044 · Fax (610) 770-8912 · www.LuminaireTesting.com

LTL NUMBER: 04490

DATE: 4-19-1999

PREPARED FOR: MERCURY LIGHTING PRODUCTS COMPANY INC.

VISUAL COMFORT PROBABILITY TABLE

RATED LUMENS PER LAMP 2850.

100. FC. REFLECTANCES 80/50/20
ROOM LUMINAIRES 0 DEG PLANE

LUMINAIRES 90 DEG PLANE

W	L	8.5 10.0 13.0 16.0				8.5 10.0 13.0 16.0			
		8.5	10.0	13.0	16.0	8.5	10.0	13.0	16.0
20	20	41	47	61	76	45	46	55	70
20	30	36	39	46	59	46	45	44	54
20	40	36	36	40	47	48	46	44	46
20	60	36	36	37	42	49	48	45	46
30	20	44	48	57	71	46	47	54	67
30	30	39	39	43	54	47	45	43	51
30	40	38	36	37	43	48	46	43	44
30	60	38	36	34	38	49	47	44	44
30	80	39	37	34	37	50	48	45	45
40	20	48	51	57	68	49	49	54	66
40	30	43	42	44	52	49	47	44	50
40	40	41	39	38	42	50	48	43	43
40	60	41	38	35	37	50	48	44	43
40	80	42	39	34	35	51	49	45	44
40	100	43	40	35	35	53	50	47	46
60	30	47	46	45	52	51	49	44	50
60	40	45	42	39	42	52	49	44	43
60	60	44	41	36	37	52	50	44	43
60	80	45	42	35	35	53	50	45	44
60	100	45	43	36	35	54	51	47	45
100	40	51	48	45	47	56	53	47	46
100	60	50	47	41	41	56	53	47	45
100	80	50	47	40	39	56	54	48	46
100	100	50	47	40	38	57	54	49	47