



ZENITH Q ZQ SERIES

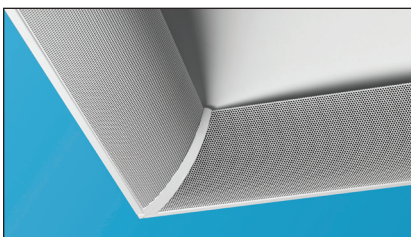
2X2 Four-Sided Light Shield Indirect/Direct Luminaire

Fixture Type: _____

Job Information: _____

SPECIFICATIONS:

- Recessed 2X2 indirect/direct fluorescent luminaire featuring a four-sided perforated light shield, which surrounds a sculptured domed style, arched reflector. An architectural element that creates the sense of loft and openness, heightening and brightening the space.
- This computer designed precision optical system provides indirect/direct illumination. The optically correct dome reflector enables precise indirect light distribution, while the four-sided perforated light shield provides the soft direct illumination.
- The system delivers comfortable illumination by filling the entire volume of space evenly. Broad angle illumination lights walls and vertical surfaces creating a more open and comfortable space.
- All components are recessed above the ceiling line. Install in ceilings as low as eight feet.
- Housings are die formed from 20GA cold rolled steel and fabricated in a computer-controlled operation. Spot-welds or rivets hold all parts together for strength and unity. Pry-out style grid supports are located on the sides.
- The indirect reflector, CAD designed to the optimum shape, is a seamless one-piece spun dome screwed into the housing with hidden hardware.
- The four-sided light shield assembly is fabricated from heavy gauge perforated steel and integrated with internal white Mylar panels. Extruded corner pieces hold the assembly together and offer a clean transition from side-to-side. Four spring hooks allow entire assembly to drop down for easy lamp access.
- A custom formulated non-glare white powder coating is applied to the reflector, light shield, and the housing after fabrication. Provides a reflectivity of at least 90%.
- T5 Lamps: Four linear lamps: 14W-T5 or 24W-HO-T5.
- TT5 Lamps: Four twin-tube compact lamps: 40W-TT5, 50W-TT5, or 55W-TT5.
- Ballasts T5: Electronic programmed start, normal light output, high power factor, THD less than 10% most ballast/lamp combinations. Up to 2-lamps per ballast. Multi-volt operates a range from 120V-277V, 50HZ-60HZ. Lutron or Advance dimming ballasts as specified.
- Ballasts TT5: Electronic instant start, normal light output, high power factor, THD less than 10% most ballast/lamp combinations. Up to 2-lamps per 40W ballast, up to 4-lamps per 50W and 55W ballasts. Multi-volt operates a range from 120V-277V, 50HZ-60HZ. Optional TT5 performances: rapid start circuit. Lutron or Advance dimming ballasts as specified.
- Emergency battery back up: Integrated packs range from 375-lumen output up to 1100 lumen output. Varies with lamp type.
- A quick wiring access plate is located on back of the housing. Additional knockouts provided. Factory installed lamps and power whips as specified.
- Designed for installation into NEMA Type G lay-in acoustical grid ceiling systems, 1" grid or 9/16" fine-line grid. Optional fit available for screw slot grid. For NEMA Type F dry wall applications an additional flange kit must be used with Type G housing. Four pullout type security clips, located in the housing, lock over the ceiling grid work. Four auxiliary suspension points are also provided for securing to building structure.
- UL and CUL listed 1598 and bears their label. Suitable for dry locations or optional damp locations with UL Damp Label. Union made and labeled.



Shield Detail



ZQ SERIES 2X2 Four-Sided Light Shield Indirect/Direct Luminaire

Fixture Type:

Job Information:

ORDERING DATA: Fill in boxes below with corresponding bold options.

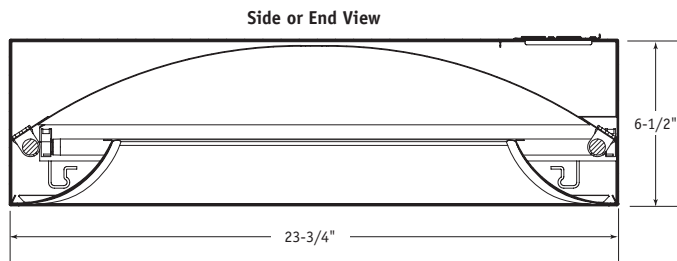
Example: ZQ-22G-424-HO-T5-ELB-UNI-EMPK/ISL28-FLX

Series	Module Size/Ceiling	No. of Lamps/ Wattage Ea. Lamp	Lamp Type	Ballast Type	Voltage	Misc.
ZQ Zenith Q Four-Sided Light Shield	22G 2X2 Module/ NEMA Type G/ Lay-in Grid, 1" or 9/16" Fine Line. 22S 2X2 Module/ NEMA Type G/ Lay-in Grid, 9/16" Screw-Slot/ Bolt-Slot.	440 4-40W-TT5 Compact 450 4-50W-TT5 Compact 455 4-55W-TT5 Compact 414 4-14W-T5 Linear 424 4-24W-HO-T5 Linear	BIAX Twin Tube Compact TT5 T5 Linear T5 HO-T5 Linear High Output T5	ELB TT5 Electronic Instant Start. Up to 2-Lamps/40W Ballast. Up to 4-Lamps/50W or 55W Ballast. ELBS TT5 Electronic Rapid Start. Up to 2-Lamps/40W Ballast. ELB T5 Electronic Programmed Start. Up to 2-Lamps/Ballast. ELBD T5 or TT5 Electronic Dim- ming, Lutron or Advance as Specified. ELB-__ T5 or TT5 Electronic As Specified.	UNI Universal Voltage, Multi-Volt 120V-277V, 50HZ-60HZ. 120V 120V-60HZ as Needed. 277V 277V-60HZ as Needed.	EMPK/I32 I-32 or Equal 450 Lumens. One 40W-TT5 Lamp. EMPK/I48 I-48 or Equal 650 Lumens. One 40W-TT5, 50W-TT5, or 55W-TT5 Lamp. EMPK/I320 I-320 or Equal 1100 Lumens. One 40W-TT5, 50W-TT5, or 55W-TT5 Lamp. One 14W-T5 or 24W-HO-T5 Lamp. EMPK/ISL28 ISL-28 or Equal 500 Lumens. One 14W-T5 or 24W-HO-T5 Lamp. FLX 6Ft. Single Circuit Power Flex. (Specify Voltage). FLX2 6Ft. 2-Circuit Power Flex. (Specify Voltage). 2B 2-Ballasts, 2-Circuits. DL UL Damp Label. L ____ Factory Lamps Installed, Specify Color. Ex: L741
FK-22 2X2 Flange Kit/ For NEMA Type F Applications. Order Separately. For Dry Wall Installations. Use with "G" Type Fixture.						

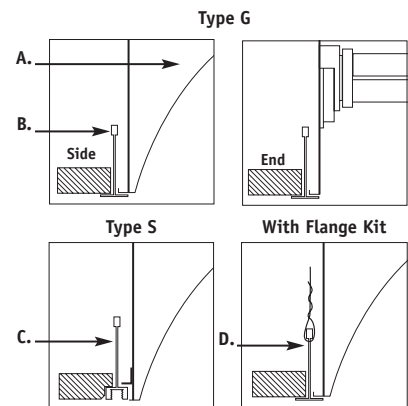
PHOTOMETRICS:

Reports available upon request.

CROSS SECTIONS:



CEILING DETAIL:



Use Type G Fixture
Cut Out: 24-3/16" x 24-3/8"

- A. Housing
- B. Type G Grid
- C. Type S Grid
- D. Flange Kit

