



ZENITH XV ZF SERIES

1X2 Side Light Shield Asymmetric Wall Wash Distribution Indirect/Direct Luminaire

Fixture Type: _____

Job Information: _____

SPECIFICATIONS:

- Recessed 1X2 wall wash fluorescent luminaire featuring a computer designed precision optical system. Provides an asymmetrical pattern of indirect/direct illumination. An optically correct contoured reflector enables precise indirect light distribution, while a side-located perforated light shield provides the soft direct illumination.
- The system delivers asymmetric illumination for dedicated wall washing. Vertical wall surfaces receive a uniform pattern of illumination from top to bottom. Can be used in combination with other Zenith series that offer symmetric distribution, maintaining perimeter illumination that creates a more open and comfortable space.
- All components are recessed above the ceiling line. Install in ceilings as low as eight feet.
- Housings are die formed from 20GA cold rolled steel and fabricated in a computer-controlled operation. Spot-welds and rivets hold all parts together for strength and unity. Pry-out style grid supports are located on the sides.
- The indirect reflector, CAD designed to the optimum contour, is one-piece and is securely screwed into the housing with hidden hardware. Easily removed for ballast access.
- The side light shield is die formed and fabricated from heavy gauge perforated steel and integrated with an internal white Mylar panel. Light shield is capable of swinging down for lamp access.
- A custom formulated non-glare white powder coating is applied to the reflector, light shield, and the housing after fabrication. Provides a reflectivity of at least 90%.
- Lamping options: One 2Ft. twin tube compact fluorescent; 40W-TT5, 50W-TT5, or 55W-TT5. One 2Ft. linear T5 fluorescent; 14W-T5 or 24W-HO-T5.
- Ballasts: Full electronic, normal light output, high power factor. See ordering data for complete specifications. Multi-volt standard with most compact TT5 and linear T5 units. Dimming ballasts are voltage specific.
- Emergency battery back up: Integrated packs range 450 up to 1125 lumen output. Varies with lamp type.
- A quick wiring access plate is located on back of the housing. Additional knockouts provided. Factory installed lamps and power whips as specified.
- Designed for installation into NEMA Type G lay-in acoustical grid ceiling systems, 1" grid or 9/16" fine-line grid. Optional fit available for screw slot grid. For NEMA Type F dry wall applications an additional flange kit must be used with Type G housing. Four pullout type security clips, located in the housing, lock over the ceiling grid work. Four auxiliary suspension points are also provided for securing to building structure.
- UL and CUL listed 1598 and bears their label. Suitable for dry locations or optional damp locations with UL Damp Label. Union made and labeled.



Shield Detail



**MERCURY
LIGHTING**
PRODUCTS CO. INC.



ZF SERIES 1X2 Side Light Shield Asymmetric Wall Wash Distribution Indirect/Direct Luminaire

Fixture Type:

Job Information:

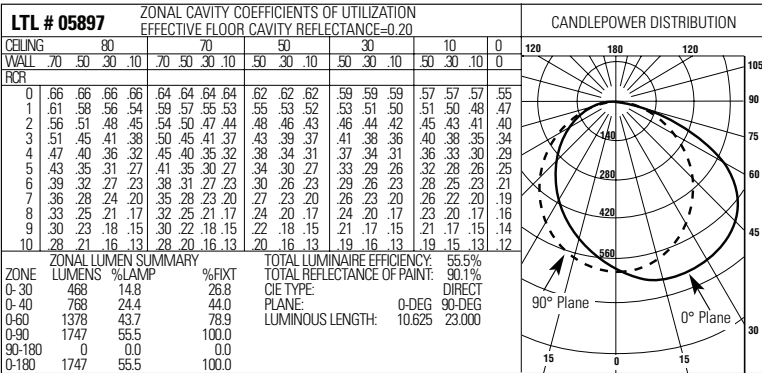
ORDERING DATA: Fill in boxes below with corresponding bold options.

Example: ZF-12G-140-BIAX-ELB-UNI-EMPK/I32-FLX-LP835

Series	Module Size/Ceiling	No. of Lamps/Wattage Ea. Lamp	Lamp Type	Ballast Type	Voltage	Misc.
ZF Zenith XV Side Shield Asymmetric	12G 1X2 Module/NEMA Type G/Lay-in Grid, 1" or 9/16" Fine Line.	140 1-40W-TT5 Compact	BIAX Twin Tube Compact TT5 T5 Linear T5 H0-T5 Linear High Output T5	ELB TT5 Electronic Instant Start. Up to 1-Lamps/Ballast. ELBS TT5 Electronic Rapid Start <10%THD. (Most Ballast/ Lamp Combinations.) Up to 1-Lamps/Ballast. ELB T5 Electronic Programmed Start <10%THD. (Most Ballast/ Lamp Combinations.) Up to 1-Lamp/Ballast. ELBD T5 or TT5 Electronic Dimming, Lutron or Advance as Specified. Dedicated Voltage Only. ELB- T5 or TT5 Electronic As Specified.	UNI T5 Universal Voltage, Multi-Volt 120V-277V, 50HZ-60HZ. <10%THD. (Most Ballast/ Lamp Combinations.) UNI T5 Universal Voltage, Multi-Volt 120V-277V, 50HZ-60HZ. <10%THD. (Most Ballast/Lamp Combinations.) 120V TT5, T5 120V-60HZ. All Dimming. 277V TT5, T5 277V-60HZ. All Dimming.	EMPK/I32 I-32 or Equal 450 Lumens. One 40W-TT5. EMPK/I48 I-48 or Equal 650 Lumens. One 40W-TT5, 50W-TT5, or 55W-TT5 Lamp. EMPK/I320 I-320 or Equal 1125 Lumens. One 40W-TT5, 50W-TT5, or 55W-TT5 Lamp. One 14W-T5 or 24W-H0-T5 Lamp. EMPK/ISL28 ISL-28 or Equal 500 Lumens. One 14W-T5 OR 24W-H0-T5 Lamp. FLX 6Ft. Single Circuit Power Flex. (Specify Voltage.) FLX2 6Ft. 2-Circuit Power Flex. (Specify Voltage.) DL UL Damp Label. L Factory Lamps Installed, Specify Color. Ex: L741
	12S 1X2 Module/NEMA Type G/Lay-in Grid, 9/16" Screw-Slot/ Bolt-Slot.	150 1-50W-TT5 Compact 155 1-55W-TT5 Compact 114 1-14W-T5 Linear 124 1-24W-H0-T5 Linear				
FK-12 1X2 Flange Kit/ For NEMA Type F Applications. Order Separately. For Dry Wall Installations. Use with "G" Type Fixture.						

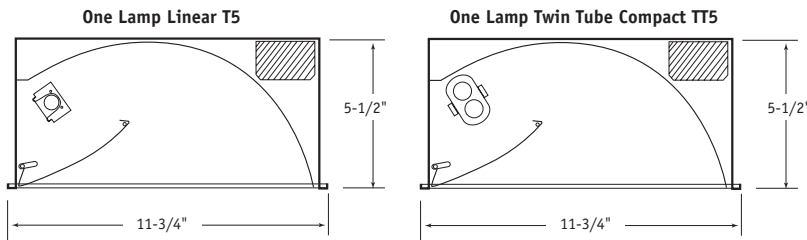
PHOTOMETRICS:

ZF-12G-140-BIAX-ELB-UNI

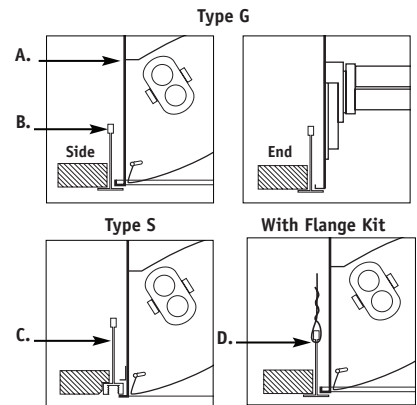


Other reports available upon request.

CROSS SECTIONS:



CEILING DETAIL:



Use Type G Fixture
Cut Out: 12-3/16" x 24-3/8"

- A. Housing
- B. Type G Grid
- C. Type S Grid
- D. Flange Kit

