

Fixture Type:

Job Name:

Series 16

Recessed Linear Wall Wash

**DESCRIPTION:**

An exciting concept in the art of wall washing and display lighting has now been achieved with this new recessed linear fluorescent luminaire. The combination of Biax TT5 lamp and ballast technologies along with the precise reflector optics and materials enables superior wall washing performance. Available in a nominal 2 Ft. long unit utilizing one 40W-TT5 lamp or a nominal 4 Ft. unit utilizing two 40W-TT5 lamps end-on-end. These longitudinal light sources provide excellent lateral light spread allowing for wider fixture spacing than ordinary wall-wash downlights. The internal aluminum reflector system incorporates a continuous upper scoop type and a lower kick type design to provide uniform illumination to the vertical surfaces. Starting at the ceiling line there are no visible horizontal cut-off lines. The lower kick portion also shields the lamp completely from the room side. This luminaire also works well in combination with parabolic troffers to eliminate the "cave effect" usually associated with wall scalloping. Special set-ups to include surface mounting, other lamping sources, other lengths, cross blade baffles, and lenses.

CONSTRUCTION:

The housing is die formed from heavy code gauge or optional 20-gauge cold rolled steel. Ends and housing parts are securely riveted into place. The reflector system is formed from one-piece semi-specular or optional full specular low-iridescent anodized aluminum and is held in place with two screws. The reflector system completely fills the entire interior of the fixture including the ends. The ballast is located above the upper portion of

the reflector and is accessible after removal of the reflector. Reflector removal is not needed for normal lamp maintenance.

ELECTRICAL:

All electrical components are UL approved. Standard ballasts are full electronic type for 40W-TT5 twin type compact lamps, either 1- or 2-lamp operation. Normal light output with THD of less than 20% is standard. Special ballast performance criteria shall be specified. Other lamping sources, 50W-TT5, 17W-T8 and 32W-T8 are available as specified. Sockets have 2G11 type base with pressure lock contacts. All fixtures are supplied with a quick wiring access plate on the top of the housing allowing for an easy installation without the need to open the fixture. Additional knockouts are provided on the ends for continuous wiring or entry. Factory installed lamps and fixture power whips are optional. Standard voltages are either 120V-60HZ AC or 277-60HZ AC, or as specified. All fixtures meet UL standards and bear their label. Union made and labeled.

MOUNTING:

Suitable for individual or continuous row recessed applications in all lay-in type grid ceilings, 1" or 9/16" T-bars. Adjustable T-bar hangers screw into each end and secure the fixture over the top of the T-bar. End-to-end continuous mounting requires fixtures to be secured together. Other ceiling types are optional as specified. Flange kits are available.

FINISH:

All housing parts other than the reflector system are finished in white enamel.

MERCURY

LIGHTING PRODUCTS COMPANY, INC.

Fixture Type:

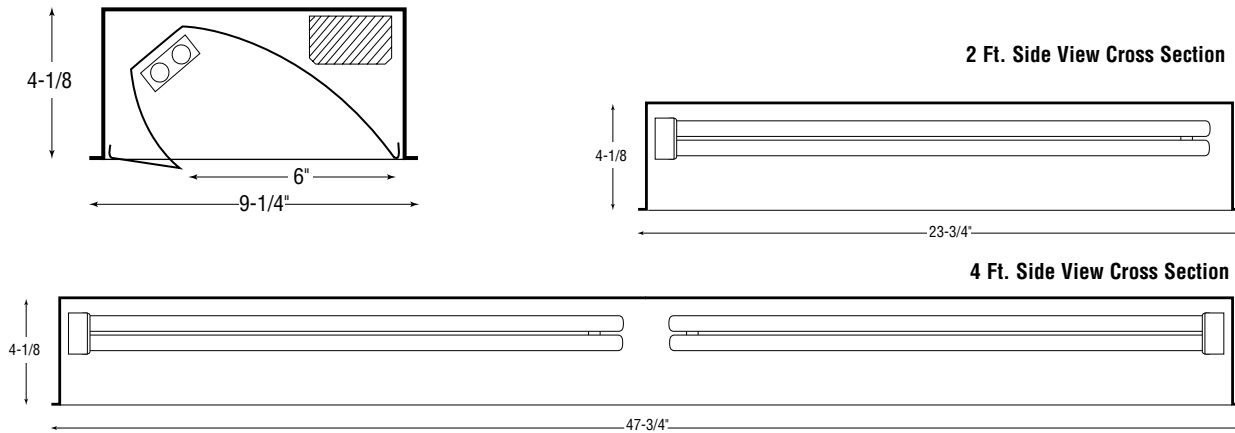
Job Name:

Series	Optional	No. of Lamp	Wattage	Lamp Type	Length/Tandem	Reflector System	Ballast Type	Voltage	Misc.
16	-E Lay-In	-1 Lamp	-40 40W-TT5	-BIAX Twin Tube TT5	-4T 4 Ft. Nom. Length Tandem Lamping (2-2 FT. Lamps)	-SSA Semi-Specular	-ELB Electronic	-120V 120 Volt	-20GA 20 Gauge Construction
	- As Specified		-50 50W-TT5	-OCT Octron T8	-4 4 Ft. Nom. Length (1-4FT. Lamp)	-FSA Full Specular	- As Specified	-277V 277 Volt	-LP Lamps Installed (Specify Color)
			-17 17W-T8		-2 2 Ft. Nom. Length (1-2FT. Lamp)			- Other Voltages	-FLX 6 Ft. Power Flex
			-32 32W-T8						

Cat No.	Description
FK-16-2	Flange Kit 2 Ft.
FK-16-4	Flange Kit 4 Ft.

Dimensional Data

Cross Section



Photometric Data

LTL # 03984

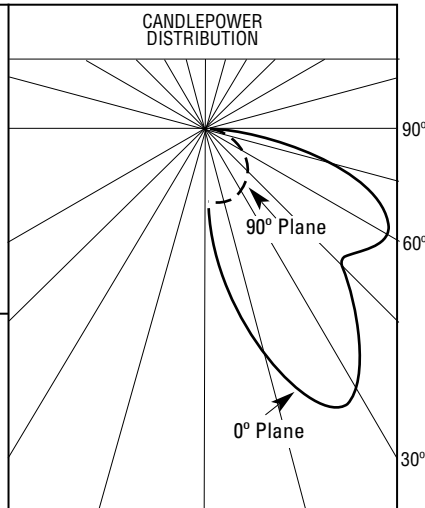
16E-140-BIAX-2-SSA-ELB-120V

LAMPS: ONE GE F40/30BX/SPX30 RATED AT 3150 LUMENS
 BALLAST: ONE MAGNETEK C2401120RH
 TOTAL INPUT WATTS = 38.9 AT 120.0 VOLTS
 THE 0 DEGREE PLANE IS PERPENDICULAR TO THE LAMPS
 CANDELA DISTRIBUTION

	0.0	22.5	45.0	67.5	90.0	112.5	135.0	157.5	180.0	FLUX
0	253	253	253	253	253	253	253	253	253	26
5	427	428	385	326	256	201	154	126	99	96
15	789	762	652	458	246	90	45	33	29	202
25	1214	1131	869	577	227	45	23	17	14	300
35	1244	1236	1102	641	196	26	12	9	5	322
45	975	972	985	687	161	15	6	3	2	319
55	918	850	729	682	121	10	4	3	3	294
65	846	781	628	482	79	7	2	3	0	203
75	538	487	444	306	50	4	3	3	0	63
85	162	122	113	99	18	4	4	2	0	
90	28	16	16	12	4	3	4	0	0	

ZONAL LUMEN SUMMARY				LUMINANCE IN CANDELA PER SQ. METER			
ZONE	LUMENS	%LAMP	%FIXT	ANGLE IN DEG	AVERAGE 0-DEG	AVERAGE 45-DEG	AVERAGE 90-DEG
0-30	324	10.3	17.8	0	2841.	2841.	2841.
0-40	624	19.8	34.2	45	15486.	15645.	2557.
0-60	1265	40.2	69.3	55	17975.	14274.	2369.
0-90	1825	57.9	100.0	65	22482.	16689.	2099.
90-180	0	0.0	0.0	75	23346.	19267.	2170.
0-180	1825	57.9	100.0	85	20876.	14561.	2320.

TOTAL LUMINAIRE EFFICIENCY: 57.9%
 CIE TYPE: DIRECT
 LUMINANCE LENGHT: 6.000 23.000



20 AUDREY PLACE, FAIRFIELD, NEW JERSEY 07004 □ 973-244-9444 □ FAX 973-244-9522

Visit our web site at www.mercltg.com