

Luminaire Property

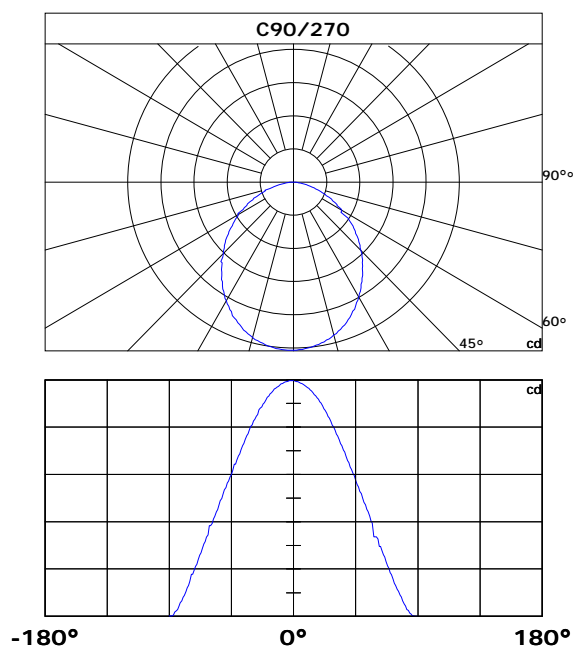
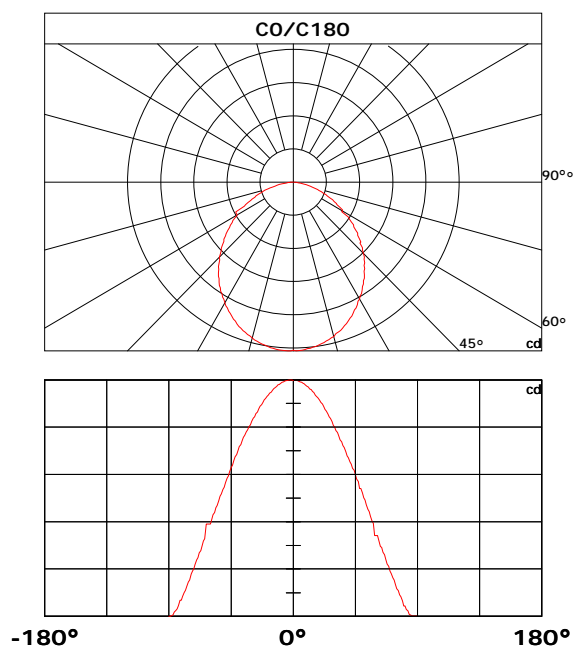
Luminaire Description: GSD-80W
 Luminaire Categorie: GALAXY SATURN DIRECT
 Lamp Categorie:
 Lamp Description: Samsung 2835
 Number of Lamp:
 Lamp Lumens(lm): 6740.0
 Luminous Length(m):
 Luminous Width(m):
 Luminous Height(m):

Voltage: 120.8 V
 Current: 0.365 A
 Power: 78.2 W
 Power Factor: 0.970
 Test Lab: * MERCURY LIGHTING
 Photometric Type: Type C

Photometric Results

CIE Class: Direct
 Measurement Flux: 6740.0 lm
 Efficiency: 86.22 lm/W
 Central Intensity: 2607.667cd
 Max. Intensity: 2615.891cd
 Field Angle(10%Imax): 155.94, 154.95

Max. Intensity Angle: C:180.0 G:1.0
 Beam Angle(50%Imax): 105.14, 103.37
 Beam Angle(50%Imax): 105.14, 103.37
 Upward Ratio: 0.0%
 Downward Ratio: 100.0%



Light intensity data Unit[cd]

C\G	G0.0	G1.0	G2.0	G3.0	G4.0	G5.0	G6.0	G7.0	G8.0	G9.0
C0.0	2607.7	2614.1	2610.6	2607.7	2601.4	2592.9	2588.6	2577.7	2572.0	2558.9
C30.0	2607.7	2599.3	2597.8	2596.1	2591.8	2585.1	2580.8	2566.3	2566.3	2555.0
C60.0	2607.7	2603.5	2602.4	2600.3	2596.8	2593.9	2588.6	2584.4	2575.5	2570.6
C90.0	2607.7	2603.5	2598.9	2597.1	2589.7	2581.2	2575.5	2564.6	2552.5	2545.4
C120.0	2607.7	2608.8	2607.4	2605.3	2600.3	2597.5	2590.4	2579.8	2574.5	2563.5
C150.0	2607.7	2608.5	2606.7	2600.7	2592.9	2588.3	2578.4	2566.7	2560.0	2545.8
C180.0	2607.7	2615.9	2615.5	2614.8	2610.9	2608.5	2602.8	2594.3	2590.8	2578.7
C210.0	2607.7	2599.6	2598.5	2595.4	2590.8	2587.6	2579.4	2575.2	2564.9	2552.2
C240.0	2607.7	2600.3	2597.1	2591.5	2587.6	2579.4	2569.5	2564.6	2551.8	2538.0
C270.0	2607.7	2605.3	2606.0	2605.6	2601.7	2597.1	2593.6	2586.2	2576.9	2571.6
C300.0	2607.7	2609.2	2606.7	2605.6	2600.0	2593.2	2589.3	2573.8	2573.8	2563.1
C330.0	2607.7	2613.4	2614.1	2612.0	2610.9	2606.7	2600.7	2593.2	2588.6	2578.7
C360.0	2607.7	2614.1	2610.6	2607.7	2601.4	2592.9	2588.6	2577.7	2572.0	2558.9
C\G	G10.0	G11.0	G12.0	G13.0	G14.0	G15.0	G16.0	G17.0	G18.0	G19.0
C0.0	2543.3	2535.2	2516.4	2507.2	2487.7	2477.1	2442.8	2430.4	2417.6	2392.1
C30.0	2540.8	2533.4	2517.1	2508.6	2489.9	2470.0	2460.1	2437.1	2413.7	2400.6
C60.0	2558.9	2545.8	2538.7	2522.4	2504.4	2495.5	2474.6	2465.8	2443.1	2429.7
C90.0	2529.9	2521.4	2503.7	2494.1	2473.6	2450.9	2439.9	2415.2	2400.6	2373.0
C120.0	2556.8	2541.9	2534.5	2517.8	2499.1	2488.8	2468.6	2445.6	2433.6	2408.1
C150.0	2537.7	2521.0	2501.5	2490.9	2469.3	2458.3	2435.3	2422.9	2396.7	2370.6
C180.0	2566.7	2560.0	2545.4	2529.2	2519.9	2500.5	2479.9	2469.7	2446.7	2434.3
C210.0	2545.8	2530.6	2514.3	2506.1	2487.0	2466.8	2455.9	2431.8	2407.7	2394.3
C240.0	2530.6	2513.9	2495.5	2485.3	2464.7	2453.4	2429.3	2404.2	2390.4	2361.7
C270.0	2559.2	2545.8	2538.4	2522.4	2513.9	2494.5	2472.2	2460.8	2436.0	2422.9
C300.0	2549.7	2541.5	2525.6	2507.9	2487.7	2476.4	2453.4	2440.6	2415.5	2387.9
C330.0	2572.3	2560.0	2545.4	2537.3	2519.9	2511.5	2492.0	2482.4	2459.8	2437.1
C360.0	2543.3	2535.2	2516.4	2507.2	2487.7	2477.1	2442.8	2430.4	2417.6	2392.1
C\G	G20.0	G21.0	G22.0	G23.0	G24.0	G25.0	G26.0	G27.0	G28.0	G29.0
C0.0	2364.9	2349.7	2320.3	2288.8	2272.8	2239.6	2205.2	2188.2	2152.1	2111.4
C30.0	2374.8	2345.4	2330.5	2300.8	2270.0	2253.7	2220.1	2185.4	2168.0	2132.3
C60.0	2405.6	2378.7	2364.9	2335.9	2320.6	2290.2	2255.8	2220.8	2203.5	2166.3
C90.0	2358.2	2328.8	2296.6	2279.9	2245.2	2210.2	2192.5	2154.6	2116.0	2096.5
C120.0	2395.7	2368.4	2339.8	2306.8	2290.9	2257.6	2222.2	2204.5	2168.4	2148.9
C150.0	2356.0	2327.4	2312.5	2281.7	2249.5	2215.1	2198.1	2179.7	2144.7	2107.2
C180.0	2409.5	2396.4	2368.4	2340.1	2324.9	2294.4	2261.5	2243.5	2209.5	2192.1
C210.0	2368.8	2340.8	2326.3	2295.1	2279.9	2248.1	2231.8	2197.4	2162.4	2162.4
C240.0	2345.1	2313.6	2281.3	2263.3	2229.3	2210.9	2174.4	2136.9	2117.4	2077.1
C270.0	2395.3	2364.5	2349.7	2317.8	2301.9	2284.2	2232.5	2215.1	2178.0	2159.9
C300.0	2374.1	2343.6	2328.1	2295.5	2261.9	2244.5	2209.1	2191.1	2153.2	2114.6
C330.0	2424.7	2397.1	2386.1	2357.8	2326.3	2313.2	2280.3	2263.3	2230.0	2195.7
C360.0	2364.9	2349.7	2320.3	2288.8	2272.8	2239.6	2205.2	2188.2	2152.1	2111.4

Light intensity data Unit[cd]

C\G	G30.0	G31.0	G32.0	G33.0	G34.0	G35.0	G36.0	G37.0	G38.0	G39.0
C0.0	2095.5	2053.3	2034.2	1993.5	1952.1	1930.1	1887.3	1866.1	1821.5	1776.9
C30.0	2113.5	2075.3	2056.9	2016.5	1975.8	1955.3	1912.8	1891.9	1825.7	1799.5
C60.0	2147.5	2109.6	2070.0	2030.3	2009.1	1966.6	1945.7	1901.8	1854.7	1832.1
C90.0	2056.5	2015.8	1994.6	1952.8	1908.9	1887.0	1838.8	1816.5	1770.5	1723.4
C120.0	2110.7	2071.8	2051.9	2010.2	1989.3	1947.1	1904.3	1882.0	1836.7	1814.0
C150.0	2088.4	2049.5	2007.3	1986.8	1945.4	1902.5	1880.9	1836.7	1791.7	1769.1
C180.0	2156.7	2119.2	2100.4	2062.2	2042.0	2002.7	1982.2	1940.8	1897.9	1876.3
C210.0	2107.5	2088.4	2049.5	2008.0	1988.2	1943.2	1921.6	1878.1	1833.5	1810.5
C240.0	2057.2	2016.2	1994.9	1952.1	1908.5	1863.2	1840.6	1794.9	1769.1	1722.0
C270.0	2120.6	2101.1	2060.8	2020.4	1998.8	1956.0	1911.7	1889.8	1842.0	1796.3
C300.0	2095.1	2054.4	2033.5	1991.7	1949.3	1924.1	1879.2	1856.9	1810.8	1787.5
C330.0	2177.3	2140.4	2102.9	2083.4	2043.1	2001.7	1981.5	1938.6	1917.4	1873.5
C360.0	2095.5	2053.3	2034.2	1993.5	1952.1	1930.1	1887.3	1866.1	1821.5	1776.9
C\G	G40.0	G41.0	G42.0	G43.0	G44.0	G45.0	G46.0	G47.0	G48.0	G49.0
C0.0	1753.8	1707.8	1683.4	1637.4	1614.7	1565.5	1516.6	1491.5	1413.3	1413.3
C30.0	1776.9	1731.5	1687.6	1661.1	1613.3	1588.9	1539.3	1515.6	1465.3	1414.3
C60.0	1786.8	1763.8	1716.7	1669.2	1645.5	1597.4	1572.9	1523.7	1498.6	1448.0
C90.0	1699.7	1652.2	1628.2	1579.3	1555.2	1506.7	1456.5	1432.4	1382.8	1358.0
C120.0	1764.8	1741.4	1694.7	1647.3	1622.9	1575.1	1550.3	1500.7	1450.4	1425.7
C150.0	1722.7	1675.2	1651.5	1603.4	1579.3	1530.4	1506.0	1455.8	1404.8	1380.3
C180.0	1832.8	1788.5	1765.5	1720.2	1673.5	1647.6	1600.2	1552.8	1528.0	1479.1
C210.0	1765.2	1741.8	1695.1	1648.0	1624.3	1575.8	1526.2	1502.8	1451.5	1426.4
C240.0	1674.5	1626.7	1602.3	1554.9	1531.5	1483.0	1434.9	1410.1	1361.9	1337.5
C270.0	1773.0	1727.6	1681.6	1681.6	1613.3	1567.3	1543.2	1496.1	1472.4	1425.0
C300.0	1741.1	1693.7	1622.1	1622.1	1573.6	1549.6	1500.7	1451.5	1403.0	1378.6
C330.0	1828.2	1782.5	1757.0	1710.3	1685.9	1638.1	1613.3	1564.1	1514.2	1489.0
C360.0	1753.8	1707.8	1683.4	1637.4	1614.7	1565.5	1516.6	1491.5	1413.3	1413.3
C\G	G50.0	G51.0	G52.0	G53.0	G54.0	G55.0	G56.0	G57.0	G58.0	G59.0
C0.0	1362.6	1311.3	1286.5	1234.8	1182.8	1157.7	1105.3	1053.2	1026.3	892.5
C30.0	1389.5	1337.5	1285.8	1260.3	1207.9	1155.9	1129.7	1077.7	1020.7	886.5
C60.0	1396.3	1371.8	1320.9	1295.7	1245.5	1194.8	1169.0	1115.5	1064.2	1038.4
C90.0	1309.2	1260.0	1234.8	1185.3	1160.1	1107.4	1057.8	1032.3	880.5	880.5
C120.0	1374.0	1323.3	1297.5	1247.6	1197.3	1172.5	1121.9	1071.6	1045.8	1020.7
C150.0	1325.5	1303.2	1222.1	1196.3	1170.4	1118.4	1091.5	1012.9	1012.9	880.1
C180.0	1429.2	1404.4	1353.4	1328.7	1278.0	1227.1	1200.9	1149.5	1123.3	1071.6
C210.0	1375.7	1324.8	1272.7	1272.7	1195.9	1166.9	1114.5	1062.8	1035.5	1009.3
C240.0	1289.0	1239.8	1215.4	1141.4	1141.4	1089.3	1039.1	1014.3	887.2	887.2
C270.0	1400.9	1352.4	1303.5	1280.2	1230.2	1181.0	1156.2	1106.7	1078.0	1028.4
C300.0	1329.0	1304.6	1255.0	1202.3	1177.1	1127.6	1102.8	1052.5	1001.2	899.2
C330.0	1438.8	1412.6	1360.5	1310.2	1283.7	1232.0	1205.8	1152.7	1098.9	1072.7
C360.0	1362.6	1311.3	1286.5	1234.8	1182.8	1157.7	1105.3	1053.2	1026.3	892.5

Light intensity data Unit[cd]

C\G	G60.0	G61.0	G62.0	G63.0	G64.0	G65.0	G66.0	G67.0	G68.0	G69.0
C0.0	892.5	892.5	839.0	774.3	761.2	709.1	682.2	627.7	576.7	551.2
C30.0	886.5	886.5	859.6	773.5	773.5	727.5	701.0	648.9	597.6	571.8
C60.0	1013.2	1013.2	1013.2	858.9	806.8	782.0	731.1	680.8	655.3	605.7
C90.0	880.5	855.0	773.5	773.5	729.6	679.7	654.9	605.7	556.9	532.8
C120.0	1020.7	1020.7	864.2	838.7	787.4	737.1	711.6	686.5	636.2	587.0
C150.0	880.1	880.1	827.0	774.6	747.7	696.0	644.0	618.5	568.6	516.2
C180.0	1019.2	1019.2	1019.2	1019.2	857.4	832.0	779.6	727.5	701.3	650.3
C210.0	1009.3	903.5	851.1	824.9	773.5	748.4	698.1	648.2	623.4	573.5
C240.0	887.2	861.3	774.3	762.2	737.1	662.7	662.7	613.5	565.0	541.0
C270.0	1003.0	1003.0	901.3	875.9	825.2	800.1	750.2	700.3	675.8	625.6
C300.0	899.2	899.2	776.0	776.0	772.8	697.1	697.1	647.5	597.9	573.2
C330.0	1018.2	1018.2	1018.2	880.5	853.6	800.5	748.1	721.5	669.8	618.1
C360.0	892.5	892.5	839.0	774.3	761.2	709.1	682.2	627.7	576.7	551.2
C\G	G70.0	G71.0	G72.0	G73.0	G74.0	G75.0	G76.0	G77.0	G78.0	G79.0
C0.0	499.9	474.0	425.2	400.8	353.2	306.1	283.9	236.8	215.1	173.0
C30.0	521.1	496.0	446.4	397.9	374.9	328.0	279.3	257.4	213.5	192.0
C60.0	580.6	531.7	483.6	465.9	411.4	391.2	342.7	320.6	277.0	234.2
C90.0	484.3	460.6	413.5	364.3	342.1	297.7	275.9	233.7	213.0	172.7
C120.0	562.2	538.1	490.7	467.0	397.9	374.9	330.4	286.8	265.7	221.1
C150.0	491.0	442.9	395.1	371.4	325.7	303.3	259.0	216.8	195.7	154.6
C180.0	624.5	573.5	524.3	498.8	468.0	402.9	379.2	332.4	287.0	264.5
C210.0	550.5	502.4	477.2	465.9	383.4	360.0	316.6	273.4	252.5	210.7
C240.0	492.4	445.0	421.6	375.6	331.0	306.1	244.7	221.2	200.3	159.8
C270.0	576.0	551.6	503.4	466.6	466.6	386.2	338.6	316.4	273.0	230.6
C300.0	524.0	496.3	448.5	425.2	378.5	332.7	310.9	266.9	224.4	204.1
C330.0	592.6	541.7	491.4	466.6	420.2	396.2	349.9	305.0	283.1	239.6
C360.0	499.9	474.0	425.2	400.8	353.2	306.1	283.9	236.8	215.1	173.0
C\G	G80.0	G81.0	G82.0	G83.0	G84.0	G85.0	G86.0	G87.0	G88.0	G89.0
C0.0	114.4	114.4	75.7	61.6	22.9	14.5	5.7	4.0	3.8	3.5
C30.0	148.9	128.7	77.0	56.0	41.9	19.8	7.3	4.1	1.4	1.2
C60.0	213.7	192.9	153.3	114.0	77.4	60.7	47.5	14.0	2.7	1.1
C90.0	134.2	115.5	77.0	62.9	35.6	24.6	9.3	2.9	1.1	0.9
C120.0	201.4	161.4	123.9	106.1	73.7	58.6	47.9	13.6	2.6	1.2
C150.0	135.8	76.2	66.3	50.3	24.8	16.1	5.6	2.4	1.5	1.2
C180.0	221.4	178.1	178.1	116.9	81.1	64.3	47.3	16.9	7.2	1.8
C210.0	170.7	149.8	111.7	74.9	59.5	48.1	15.2	9.3	3.5	3.0
C240.0	120.4	76.4	65.8	50.3	25.7	10.3	4.1	3.2	2.7	2.9
C270.0	210.3	169.8	150.1	112.2	76.9	60.8	46.7	15.6	6.5	4.9
C300.0	164.0	125.8	76.4	74.4	46.0	34.2	16.4	7.6	4.2	3.7
C330.0	216.0	173.2	134.3	116.0	81.1	64.9	47.7	19.5	6.0	4.9
C360.0	114.4	114.4	75.7	61.6	22.9	14.5	5.7	4.0	3.8	3.5

Light intensity data Unit[cd]

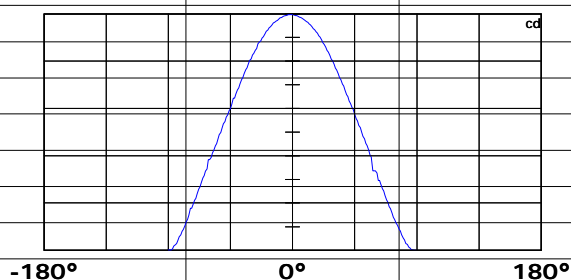
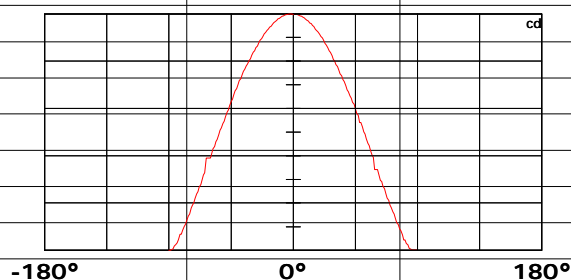
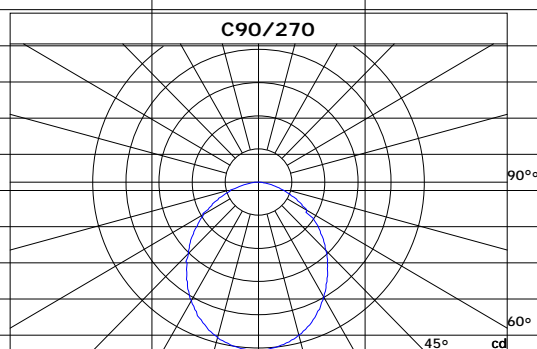
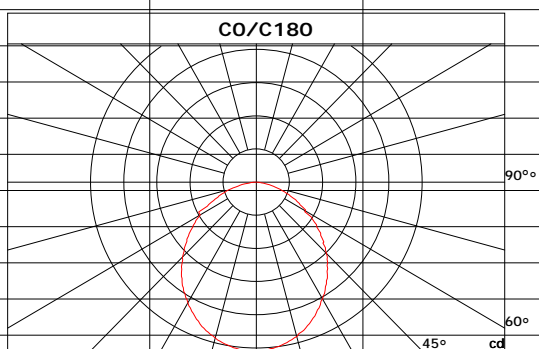
C\G	G90.0									
C0.0	3.7									
C30.0	1.1									
C60.0	1.0									
C90.0	1.0									
C120.0	1.1									
C150.0	1.1									
C180.0	1.2									
C210.0	3.1									
C240.0	3.1									
C270.0	3.3									
C300.0	3.3									
C330.0	3.7									
C360.0	3.7									

Luminaire Property Zonal Luminous Flux Data

Luminaire Description:	LL011380S-80W-4000K	Voltage:	220.8 V
Luminaire Category:	LED LINEAR LIGHT	Current:	0.365 A
Lamp Category:		Power:	78.38 W [%]
Lamp Description:	2607.67	Power Factor:	0.970
Number of Lamp:		Test Lab:	
Lamp Lumens(lm):	6608.94	Photometric Type:	Type C
Luminous Length(m):			
Luminous Width(m):			
Luminous Height(m):			

Photometric Results

CIE Class:	Direct	Max. Intensity Angle:	C:180.0 G:1.0
Measurement Flux:	6608.94 lm	Beam Angle(50%Imax):	105.14, 103.37
Efficiency:	84.3192 lm/W	Beam Angle(50%Imax):	105.14, 103.37
Central Intensity:	2607.667cd	Upward Ratio:	0.0%
Max. Intensity:	2615.891cd	Downward Ratio:	100.0%
Field Angle(10%Imax):	155.94, 154.95		



Light intensity data Unit[cd]

C\G	G0.0	G1.0	G2.0	G3.0	G4.0	G5.0	G6.0	G7.0	G8.0	G9.0
C0.0	2607.7	2614.1	2610.6	2607.7	2601.4	2592.9	2588.6	2577.7	2572.0	2558.9
C30.0	2607.7	2599.3	2597.8	2596.1	2591.8	2585.1	2580.8	2566.3	2566.3	2555.0
C60.0	2607.7	2603.5	2602.4	2600.3	2596.8	2593.9	2588.6	2584.4	2575.5	2570.6
C90.0	2607.7	2603.5	2598.9	2597.1	2589.7	2581.2	2575.5	2564.6	2552.5	2545.4
C120.0	2607.7	2608.8	2607.4	2605.3	2600.3	2597.5	2590.4	2579.8	2574.5	2563.5
C150.0	2607.7	2608.5	2606.7	2600.7	2592.9	2588.3	2578.4	2566.7	2560.0	2545.8
C180.0	2607.7	2615.9	2615.5	2614.8	2610.9	2608.5	2602.8	2594.3	2590.8	2578.7
C210.0	2607.7	2599.6	2598.5	2595.4	2590.8	2587.6	2579.4	2575.2	2564.9	2552.2
C240.0	2607.7	2600.3	2597.1	2591.5	2587.6	2579.4	2569.5	2564.6	2551.8	2538.0
C270.0	2607.7	2605.3	2606.0	2605.6	2601.7	2597.1	2593.6	2586.2	2576.9	2571.6
C300.0	2607.7	2609.2	2606.7	2605.6	2600.0	2593.2	2589.3	2573.8	2573.8	2563.1
C330.0	2607.7	2613.4	2614.1	2612.0	2610.9	2606.7	2600.7	2593.2	2588.6	2578.7
C360.0	2607.7	2614.1	2610.6	2607.7	2601.4	2592.9	2588.6	2577.7	2572.0	2558.9
C\G	G10.0	G11.0	G12.0	G13.0	G14.0	G15.0	G16.0	G17.0	G18.0	G19.0
C0.0	2543.3	2535.2	2516.4	2507.2	2487.7	2477.1	2442.8	2430.4	2417.6	2392.1
C30.0	2540.8	2533.4	2517.1	2508.6	2489.9	2470.0	2460.1	2437.1	2413.7	2400.6
C60.0	2558.9	2545.8	2538.7	2522.4	2504.4	2495.5	2474.6	2465.8	2443.1	2429.7
C90.0	2529.9	2521.4	2503.7	2494.1	2473.6	2450.9	2439.9	2415.2	2400.6	2373.0
C120.0	2556.8	2541.9	2534.5	2517.8	2499.1	2488.8	2468.6	2445.6	2433.6	2408.1
C150.0	2537.7	2521.0	2501.5	2490.9	2469.3	2458.3	2435.3	2422.9	2396.7	2370.6
C180.0	2566.7	2560.0	2545.4	2529.2	2519.9	2500.5	2479.9	2469.7	2446.7	2434.3
C210.0	2545.8	2530.6	2514.3	2506.1	2487.0	2466.8	2455.9	2431.8	2407.7	2394.3
C240.0	2530.6	2513.9	2495.5	2485.3	2464.7	2453.4	2429.3	2404.2	2390.4	2361.7
C270.0	2559.2	2545.8	2538.4	2522.4	2513.9	2494.5	2472.2	2460.8	2436.0	2422.9
C300.0	2549.7	2541.5	2525.6	2507.9	2487.7	2476.4	2453.4	2440.6	2415.5	2387.9
C330.0	2572.3	2560.0	2545.4	2537.3	2519.9	2511.5	2492.0	2482.4	2459.8	2437.1
C360.0	2543.3	2535.2	2516.4	2507.2	2487.7	2477.1	2442.8	2430.4	2417.6	2392.1
C\G	G20.0	G21.0	G22.0	G23.0	G24.0	G25.0	G26.0	G27.0	G28.0	G29.0
C0.0	2364.9	2349.7	2320.3	2288.8	2272.8	2239.6	2205.2	2188.2	2152.1	2111.4
C30.0	2374.8	2345.4	2330.5	2300.8	2270.0	2253.7	2220.1	2185.4	2168.0	2132.3
C60.0	2405.6	2378.7	2364.9	2335.9	2320.6	2290.2	2255.8	2220.8	2203.5	2166.3
C90.0	2358.2	2328.8	2296.6	2279.9	2245.2	2210.2	2192.5	2154.6	2116.0	2096.5
C120.0	2395.7	2368.4	2339.8	2306.8	2290.9	2257.6	2222.2	2204.5	2168.4	2148.9
C150.0	2356.0	2327.4	2312.5	2281.7	2249.5	2215.1	2198.1	2179.7	2144.7	2107.2
C180.0	2409.5	2396.4	2368.4	2340.1	2324.9	2294.4	2261.5	2243.5	2209.5	2192.1
C210.0	2368.8	2340.8	2326.3	2295.1	2279.9	2248.1	2231.8	2197.4	2162.4	2162.4
C240.0	2345.1	2313.6	2281.3	2263.3	2229.3	2210.9	2174.4	2136.9	2117.4	2077.1
C270.0	2395.3	2364.5	2349.7	2317.8	2301.9	2284.2	2232.5	2215.1	2178.0	2159.9
C300.0	2374.1	2343.6	2328.1	2295.5	2261.9	2244.5	2209.1	2191.1	2153.2	2114.6
C330.0	2424.7	2397.1	2386.1	2357.8	2326.3	2313.2	2280.3	2263.3	2230.0	2195.7
C360.0	2364.9	2349.7	2320.3	2288.8	2272.8	2239.6	2205.2	2188.2	2152.1	2111.4

Light intensity data Unit[cd]

C\G	G30.0	G31.0	G32.0	G33.0	G34.0	G35.0	G36.0	G37.0	G38.0	G39.0
C0.0	2095.5	2053.3	2034.2	1993.5	1952.1	1930.1	1887.3	1866.1	1821.5	1776.9
C30.0	2113.5	2075.3	2056.9	2016.5	1975.8	1955.3	1912.8	1891.9	1825.7	1799.5
C60.0	2147.5	2109.6	2070.0	2030.3	2009.1	1966.6	1945.7	1901.8	1854.7	1832.1
C90.0	2056.5	2015.8	1994.6	1952.8	1908.9	1887.0	1838.8	1816.5	1770.5	1723.4
C120.0	2110.7	2071.8	2051.9	2010.2	1989.3	1947.1	1904.3	1882.0	1836.7	1814.0
C150.0	2088.4	2049.5	2007.3	1986.8	1945.4	1902.5	1880.9	1836.7	1791.7	1769.1
C180.0	2156.7	2119.2	2100.4	2062.2	2042.0	2002.7	1982.2	1940.8	1897.9	1876.3
C210.0	2107.5	2088.4	2049.5	2008.0	1988.2	1943.2	1921.6	1878.1	1833.5	1810.5
C240.0	2057.2	2016.2	1994.9	1952.1	1908.5	1863.2	1840.6	1794.9	1769.1	1722.0
C270.0	2120.6	2101.1	2060.8	2020.4	1998.8	1956.0	1911.7	1889.8	1842.0	1796.3
C300.0	2095.1	2054.4	2033.5	1991.7	1949.3	1924.1	1879.2	1856.9	1810.8	1787.5
C330.0	2177.3	2140.4	2102.9	2083.4	2043.1	2001.7	1981.5	1938.6	1917.4	1873.5
C360.0	2095.5	2053.3	2034.2	1993.5	1952.1	1930.1	1887.3	1866.1	1821.5	1776.9
C\G	G40.0	G41.0	G42.0	G43.0	G44.0	G45.0	G46.0	G47.0	G48.0	G49.0
C0.0	1753.8	1707.8	1683.4	1637.4	1614.7	1565.5	1516.6	1491.5	1413.3	1413.3
C30.0	1776.9	1731.5	1687.6	1661.1	1613.3	1588.9	1539.3	1515.6	1465.3	1414.3
C60.0	1786.8	1763.8	1716.7	1669.2	1645.5	1597.4	1572.9	1523.7	1498.6	1448.0
C90.0	1699.7	1652.2	1628.2	1579.3	1555.2	1506.7	1456.5	1432.4	1382.8	1358.0
C120.0	1764.8	1741.4	1694.7	1647.3	1622.9	1575.1	1550.3	1500.7	1450.4	1425.7
C150.0	1722.7	1675.2	1651.5	1603.4	1579.3	1530.4	1506.0	1455.8	1404.8	1380.3
C180.0	1832.8	1788.5	1765.5	1720.2	1673.5	1647.6	1600.2	1552.8	1528.0	1479.1
C210.0	1765.2	1741.8	1695.1	1648.0	1624.3	1575.8	1526.2	1502.8	1451.5	1426.4
C240.0	1674.5	1626.7	1602.3	1554.9	1531.5	1483.0	1434.9	1410.1	1361.9	1337.5
C270.0	1773.0	1727.6	1681.6	1681.6	1613.3	1567.3	1543.2	1496.1	1472.4	1425.0
C300.0	1741.1	1693.7	1622.1	1622.1	1573.6	1549.6	1500.7	1451.5	1403.0	1378.6
C330.0	1828.2	1782.5	1757.0	1710.3	1685.9	1638.1	1613.3	1564.1	1514.2	1489.0
C360.0	1753.8	1707.8	1683.4	1637.4	1614.7	1565.5	1516.6	1491.5	1413.3	1413.3
C\G	G50.0	G51.0	G52.0	G53.0	G54.0	G55.0	G56.0	G57.0	G58.0	G59.0
C0.0	1362.6	1311.3	1286.5	1234.8	1182.8	1157.7	1105.3	1053.2	1026.3	892.5
C30.0	1389.5	1337.5	1285.8	1260.3	1207.9	1155.9	1129.7	1077.7	1020.7	886.5
C60.0	1396.3	1371.8	1320.9	1295.7	1245.5	1194.8	1169.0	1115.5	1064.2	1038.4
C90.0	1309.2	1260.0	1234.8	1185.3	1160.1	1107.4	1057.8	1032.3	880.5	880.5
C120.0	1374.0	1323.3	1297.5	1247.6	1197.3	1172.5	1121.9	1071.6	1045.8	1020.7
C150.0	1325.5	1303.2	1222.1	1196.3	1170.4	1118.4	1091.5	1012.9	1012.9	880.1
C180.0	1429.2	1404.4	1353.4	1328.7	1278.0	1227.1	1200.9	1149.5	1123.3	1071.6
C210.0	1375.7	1324.8	1272.7	1272.7	1195.9	1166.9	1114.5	1062.8	1035.5	1009.3
C240.0	1289.0	1239.8	1215.4	1141.4	1141.4	1089.3	1039.1	1014.3	887.2	887.2
C270.0	1400.9	1352.4	1303.5	1280.2	1230.2	1181.0	1156.2	1106.7	1078.0	1028.4
C300.0	1329.0	1304.6	1255.0	1202.3	1177.1	1127.6	1102.8	1052.5	1001.2	899.2
C330.0	1438.8	1412.6	1360.5	1310.2	1283.7	1232.0	1205.8	1152.7	1098.9	1072.7
C360.0	1362.6	1311.3	1286.5	1234.8	1182.8	1157.7	1105.3	1053.2	1026.3	892.5

Light intensity data Unit[cd]

C\G	G60.0	G61.0	G62.0	G63.0	G64.0	G65.0	G66.0	G67.0	G68.0	G69.0
C0.0	892.5	892.5	839.0	774.3	761.2	709.1	682.2	627.7	576.7	551.2
C30.0	886.5	886.5	859.6	773.5	773.5	727.5	701.0	648.9	597.6	571.8
C60.0	1013.2	1013.2	1013.2	858.9	806.8	782.0	731.1	680.8	655.3	605.7
C90.0	880.5	855.0	773.5	773.5	729.6	679.7	654.9	605.7	556.9	532.8
C120.0	1020.7	1020.7	864.2	838.7	787.4	737.1	711.6	686.5	636.2	587.0
C150.0	880.1	880.1	827.0	774.6	747.7	696.0	644.0	618.5	568.6	516.2
C180.0	1019.2	1019.2	1019.2	1019.2	857.4	832.0	779.6	727.5	701.3	650.3
C210.0	1009.3	903.5	851.1	824.9	773.5	748.4	698.1	648.2	623.4	573.5
C240.0	887.2	861.3	774.3	762.2	737.1	662.7	662.7	613.5	565.0	541.0
C270.0	1003.0	1003.0	901.3	875.9	825.2	800.1	750.2	700.3	675.8	625.6
C300.0	899.2	899.2	776.0	776.0	772.8	697.1	697.1	647.5	597.9	573.2
C330.0	1018.2	1018.2	1018.2	880.5	853.6	800.5	748.1	721.5	669.8	618.1
C360.0	892.5	892.5	839.0	774.3	761.2	709.1	682.2	627.7	576.7	551.2
C\G	G70.0	G71.0	G72.0	G73.0	G74.0	G75.0	G76.0	G77.0	G78.0	G79.0
C0.0	499.9	474.0	425.2	400.8	353.2	306.1	283.9	236.8	215.1	173.0
C30.0	521.1	496.0	446.4	397.9	374.9	328.0	279.3	257.4	213.5	192.0
C60.0	580.6	531.7	483.6	465.9	411.4	391.2	342.7	320.6	277.0	234.2
C90.0	484.3	460.6	413.5	364.3	342.1	297.7	275.9	233.7	213.0	172.7
C120.0	562.2	538.1	490.7	467.0	397.9	374.9	330.4	286.8	265.7	221.1
C150.0	491.0	442.9	395.1	371.4	325.7	303.3	259.0	216.8	195.7	154.6
C180.0	624.5	573.5	524.3	498.8	468.0	402.9	379.2	332.4	287.0	264.5
C210.0	550.5	502.4	477.2	465.9	383.4	360.0	316.6	273.4	252.5	210.7
C240.0	492.4	445.0	421.6	375.6	331.0	306.1	244.7	221.2	200.3	159.8
C270.0	576.0	551.6	503.4	466.6	466.6	386.2	338.6	316.4	273.0	230.6
C300.0	524.0	496.3	448.5	425.2	378.5	332.7	310.9	266.9	224.4	204.1
C330.0	592.6	541.7	491.4	466.6	420.2	396.2	349.9	305.0	283.1	239.6
C360.0	499.9	474.0	425.2	400.8	353.2	306.1	283.9	236.8	215.1	173.0
C\G	G80.0	G81.0	G82.0	G83.0	G84.0	G85.0	G86.0	G87.0	G88.0	G89.0
C0.0	114.4	114.4	75.7	61.6	22.9	14.5	5.7	4.0	3.8	3.5
C30.0	148.9	128.7	77.0	56.0	41.9	19.8	7.3	4.1	1.4	1.2
C60.0	213.7	192.9	153.3	114.0	77.4	60.7	47.5	14.0	2.7	1.1
C90.0	134.2	115.5	77.0	62.9	35.6	24.6	9.3	2.9	1.1	0.9
C120.0	201.4	161.4	123.9	106.1	73.7	58.6	47.9	13.6	2.6	1.2
C150.0	135.8	76.2	66.3	50.3	24.8	16.1	5.6	2.4	1.5	1.2
C180.0	221.4	178.1	178.1	116.9	81.1	64.3	47.3	16.9	7.2	1.8
C210.0	170.7	149.8	111.7	74.9	59.5	48.1	15.2	9.3	3.5	3.0
C240.0	120.4	76.4	65.8	50.3	25.7	10.3	4.1	3.2	2.7	2.9
C270.0	210.3	169.8	150.1	112.2	76.9	60.8	46.7	15.6	6.5	4.9
C300.0	164.0	125.8	76.4	74.4	46.0	34.2	16.4	7.6	4.2	3.7
C330.0	216.0	173.2	134.3	116.0	81.1	64.9	47.7	19.5	6.0	4.9
C360.0	114.4	114.4	75.7	61.6	22.9	14.5	5.7	4.0	3.8	3.5

Light intensity data Unit[cd]

C\G	G90.0									
C0.0	3.7									
C30.0	1.1									
C60.0	1.0									
C90.0	1.0									
C120.0	1.1									
C150.0	1.1									
C180.0	1.2									
C210.0	3.1									
C240.0	3.1									
C270.0	3.3									
C300.0	3.3									
C330.0	3.7									
C360.0	3.7									

